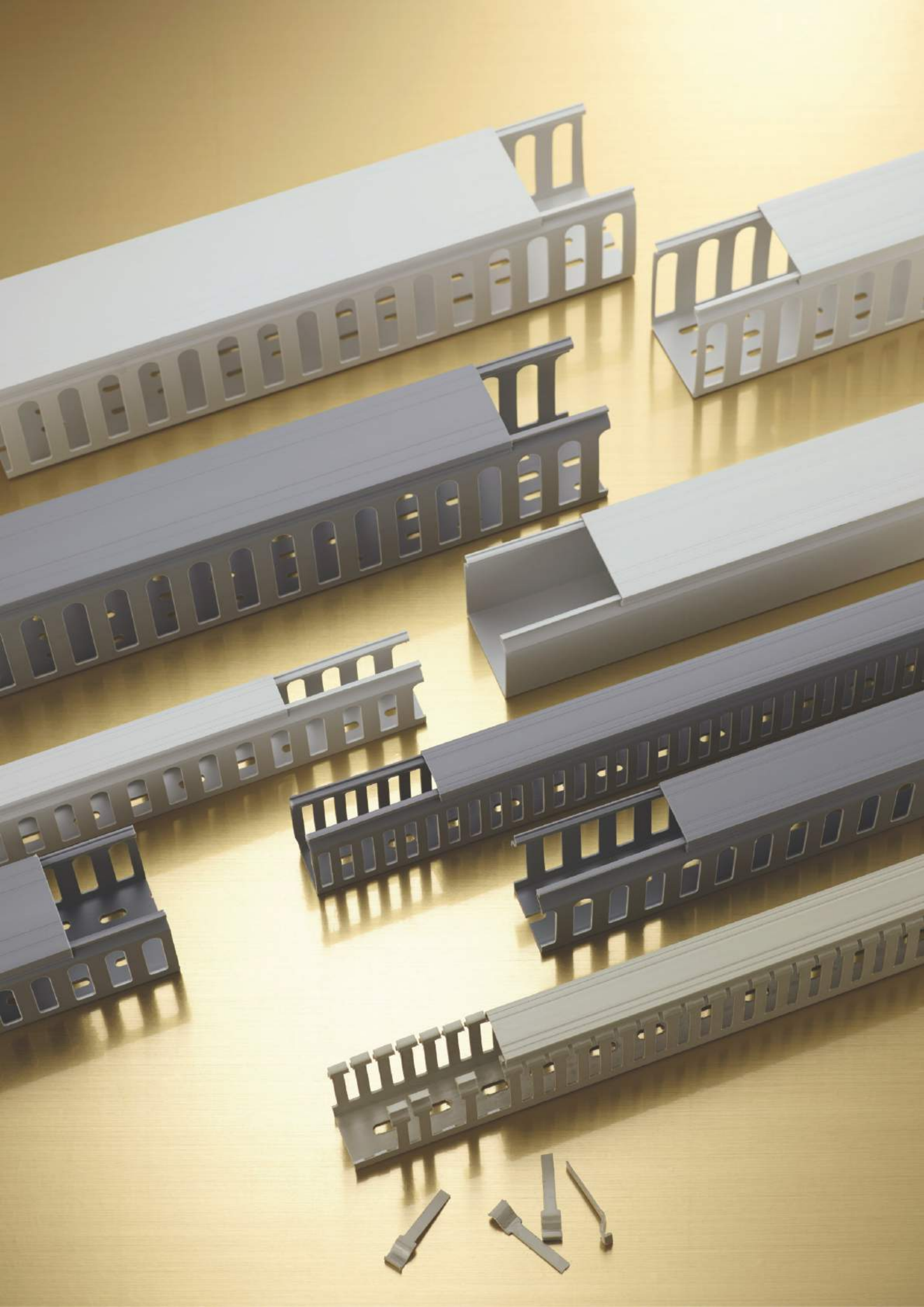


WIRE MANAGEMENT SOLUTIONS

Wiring Ducts



KUMCHANG CO., LTD.



Contents

Wiring Duct (PVC)

Wide close slot wiring duct (표준형)	2
Narrow close slot wiring duct (조밀형)	3
Wide slot wiring duct (개방형)	4
Narrow wide slot wiring duct (조밀개방형)	5
Solid slot wiring duct (밀폐형)	6

Wiring Duct (ABS)

Wide close slot wiring duct (표준형)	7
Narrow close slot wiring duct (조밀형)	8
Wide slot wiring duct (개방형)	9
Narrow wide slot wiring duct (조밀개방형)	10
Solid slot wiring duct (밀폐형)	11

Wiring Duct (ABS - Halogen Free)

Wide close slot wiring duct (표준형)	12
Narrow close slot wiring duct (조밀형)	13
Wide slot wiring duct (개방형)	14
Narrow wide slot wiring duct (조밀개방형)	15
Solid slot wiring duct (밀폐형)	16

Accessories

Duct washer bolt	17
Wiring duct cutter	17
Hook band, Hook band-black	18
Cable shield tube	19
Terminal caps	20
Eye tubular cable lug thermo caps	20
Thermo terminal caps, Thermo sensor cap	21

Terminals

Ring terminals - Non-insulated (KS, UL) ...	22~24
Ring terminals - PVC insulated (KS, UL) ..	25~26
Ring terminals - Nylon insulated (KS, UL) .	27~28
Ring terminals - Non-insulated	29~30
Non-insulated terminals-Type(Fork, Blade, Pin) ...	31
Ring terminals - PVC insulated	32
Ring terminals - Nylon insulated	33
PVC insulated terminals-Type(Fork, Blade, Pin) ..	34
Nylon insulated terminals-Type(Fork, Blade, Pin) .	35

Tubular Cable Lugs

Tubular cable lugs, One hole (Type-CE)	36~37
Tubular cable lugs, Two hole (Type-CE)	38
Tubular cable lugs, One hole (Type-CP) (UL) .	39~40
Tubular cable lugs, Two hole (Type-CP) (UL) .	41

Cable Ties

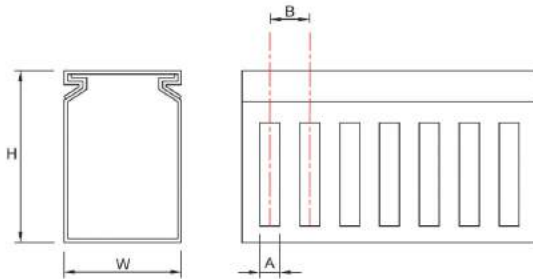
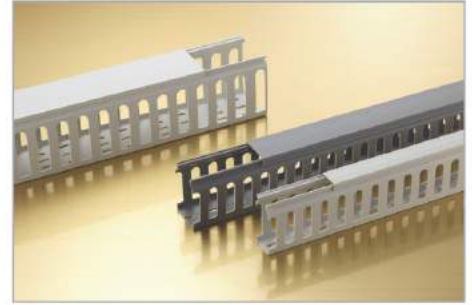
Cable ties - Nylon 6.6	42
Cable ties - Flammability Nylon 6.6	43
Cable ties - Weather resistant Nylon 6.6	44

Appendix

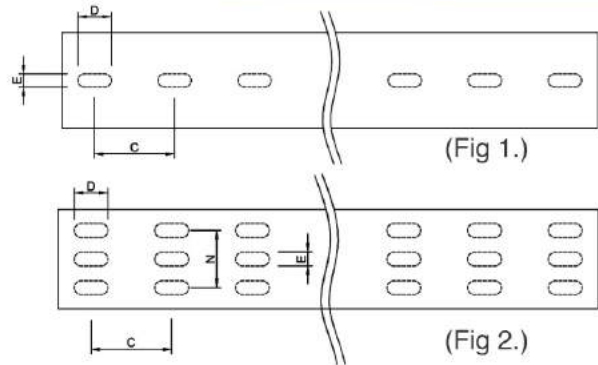
Certificate for Business Registration	45
Certificate of Patent	46
Certificate of Design Registration	47
Certificate of Related Design Registration	48

Wide Close Slot Wiring Duct (표준형)

- Material : PVC
- Temperature rating : 50°C
- Color : Grey, Ivory
- Other color is available to special order
- Flammability : UL94 V-0



<Typical side view>

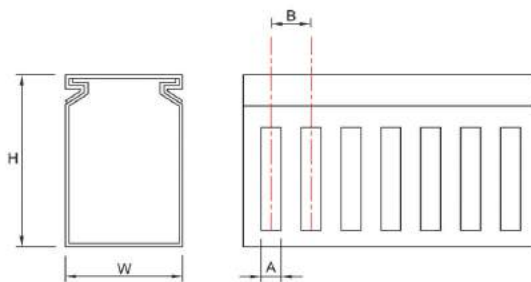
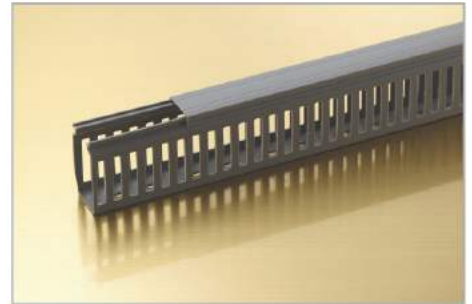


<Bottom mounting view>

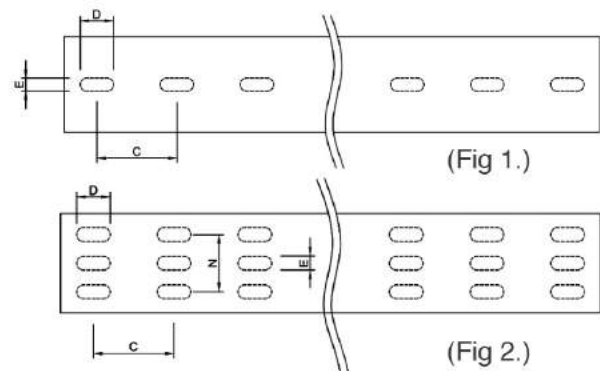
Part Number	Hole Pattern Type	Dimension (mm)								
		W	H	A	B	C	D	E	N	Length
KCWDA 20×35	Fig 1	20	35	10	20	50	15	6	-	2000
KCWDA 25×40		25	40	10	20					
KCWDA 25×60		25	60	10	20					
KCWDA 30×40		30	40	10	20					
KCWDA 30×60		30	60	10	20					
KCWDA 30×80		30	80	10	20					
KCWDA 40×40		40	40	10	20					
KCWDA 40×60		40	60	10	20					
KCWDA 40×80		40	80	10	20					
KCWDA 40×100		40	100	10	20					
KCWDA 60×40	Fig 2	60	40	10	20	50	15	6	35	2000
KCWDA 60×60		60	60	10	20					
KCWDA 60×80		60	80	10	20					
KCWDA 60×100		60	100	10	20					
KCWDA 60×120		60	120	10	20					
KCWDA 80×30		80	30	13	25					
KCWDA 80×60		80	60	13	25					
KCWDA 80×80		80	80	13	25					
KCWDA 80×100		80	100	13	25					
KCWDA 80×120		80	120	13	25					
KCWDA 100×80	100	80	13	25	40					
KCWDA 100×100	100	100	13	25						
KCWDA 100×120	100	120	13	25						
KCWDA 150×100	150	100	13	25		90				

Narrow Close Slot Wiring Duct (조밀형)

- Material : PVC
- Temperature rating : 50°C
- Other color is available to special order
- Color : Grey, Ivory
- Flammability : UL94 V-0



<Typical side view>

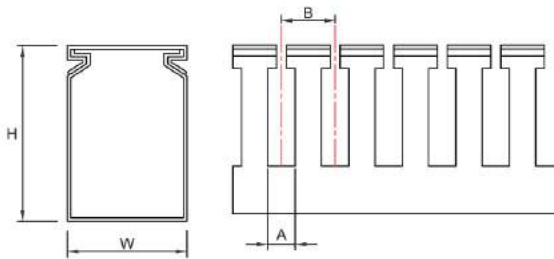


<Bottom mounting view>

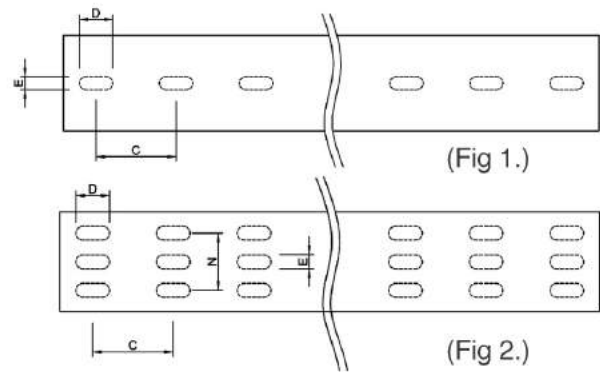
Part Number	Hole Pattern Type	Dimension (mm)								
		W	H	A	B	C	D	E	N	Length
KCWDN 20×35	Fig 1	20	35	5	10	50	15	6		2000
KCWDN 25×40		25	40							
KCWDN 25×60		25	60							
KCWDN 30×40		30	40							
KCWDN 30×60		30	60							
KCWDN 30×80		30	80							
KCWDN 40×40		40	40							
KCWDN 40×60		40	60							
KCWDN 40×80		40	80							
KCWDN 40×100		40	100							
KCWDN 60×40	Fig 2	60	40	5	10	50	15	6	35	2000
KCWDN 60×60		60	60							
KCWDN 60×80		60	80							
KCWDN 60×100		60	100							
KCWDN 80×60		80	60							
KCWDN 80×80		80	80							
KCWDN 80×100		80	100							
KCWDN 100×80		100	80							
KCWDN 100×100	100	100								

Wide Slot Wiring Duct (개방형)

- Material : PVC
- Temperature rating : 50°C
- Color : Grey, Ivory
- Other color is available to special order
- Flammability : UL94 V-0



<Typical side view>

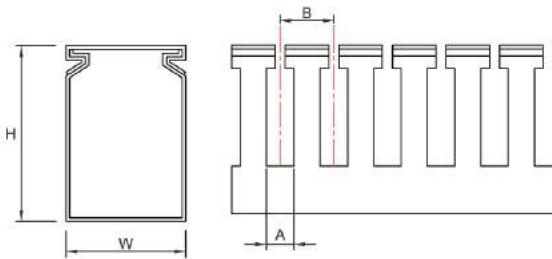


<Bottom mounting view>

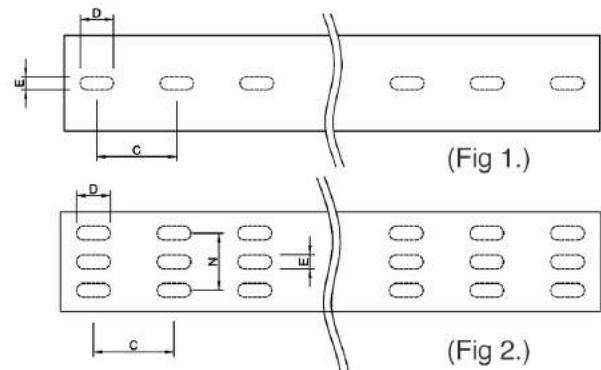
Part Number	Hole Pattern Type	Dimension (mm)								
		W	H	A	B	C	D	E	N	Length
KCWDO 20×35	Fig 1	20	35	10	20	50	15	6	-	2000
KCWDO 25×40		25	40							
KCWDO 25×60		25	60							
KCWDO 30×40		30	40							
KCWDO 30×60		30	60							
KCWDO 30×80		30	80							
KCWDO 40×40		40	40							
KCWDO 40×60		40	60							
KCWDO 40×80		40	80							
KCWDO 40×100		40	100							
KCWDO 60×40	Fig 2	60	40	10	20	50	15	6	35	2000
KCWDO 60×60		60	60							
KCWDO 60×80		60	80							
KCWDO 60×100		60	100							
KCWDO 80×60		80	60							
KCWDO 80×80		80	80							
KCWDO 80×100		80	100							
KCWDO 100×80		100	80							
KCWDO 100×100		100	100							
KCWDO 100×100		100	100							

Narrow Wide Slot Wiring Duct (조밀 개방형)

- Material : PVC
- Temperature rating : 50°C
- Color : Grey, Ivory
- Other color is available to special order
- Flammability : UL94 V-0



<Typical side view>

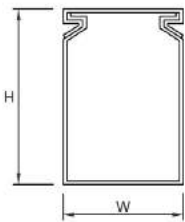
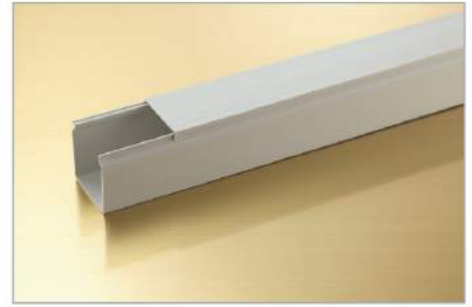


<Bottom mounting view>

Part Number	Hole Pattern Type	Dimension (mm)										
		W	H	A	B	C	D	E	N	Length		
KCWDON 20×35	Fig 1	20	35	5	10	50	15	6	-	2000		
KCWDON 25×40		25	40									
KCWDON 25×60		25	60									
KCWDON 30×40		30	40									
KCWDON 30×60		30	60									
KCWDON 30×80		30	80									
KCWDON 40×40		40	40									
KCWDON 40×60		40	60									
KCWDON 40×80		40	80									
KCWDON 40×100		40	100									
KCWDON 60×40	Fig 2	60	40	5	10	50	15	6	35	2000		
KCWDON 60×60		60	60									
KCWDON 60×80		60	80									
KCWDON 60×100		60	100									
KCWDON 80×60		80	60								6	40
KCWDON 80×80		80	80									
KCWDON 80×100		80	100									
KCWDON 100×80		100	80									
KCWDON 100×100	100	100	6	40								
KCWDON 100×100	100	100										

Solid Slot Wiring Duct (밀폐형)

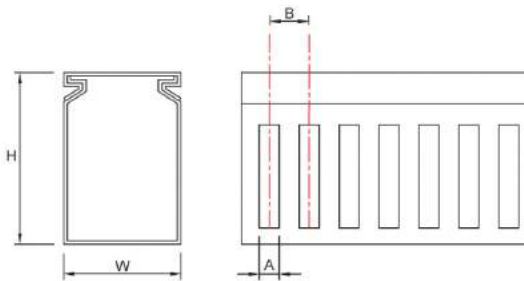
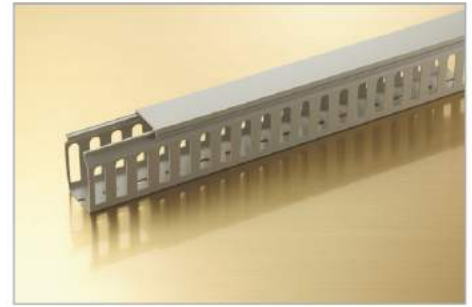
- Material : PVC
- Temperature rating : 50°C
- Color : Grey, Ivory
- Other color is available to special order
- Flammability : UL94 V-0



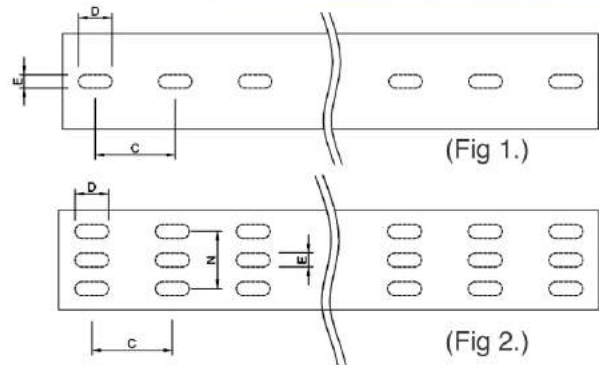
Part Number	Dimension (mm)			Part Number	Dimension (mm)		
	W	H	Length		W	H	Length
KCWDC 20×35	20	35	2000	KCWDC 60×40	60	40	2000
KCWDC 25×40	25	40		KCWDC 60×60	60	60	
KCWDC 25×60	25	60		KCWDC 60×80	60	80	
KCWDC 30×40	30	40		KCWDC 60×100	60	100	
KCWDC 30×60	30	60		KCWDC 80×60	80	60	
KCWDC 30×80	30	80		KCWDC 80×80	80	80	
KCWDC 40×40	40	40		KCWDC 80×100	80	100	
KCWDC 40×60	40	60		KCWDC 100×80	100	80	
KCWDC 40×80	40	80		KCWDC 100×100	100	100	
KCWDC 40×100	40	100					

Wide Close Slot Wiring Duct - ABS (표준형)

- Material : ABS
- Temperature rating : 85°C
- Color : Ivory
- Flammability : UL94 V-0



<Typical side view>

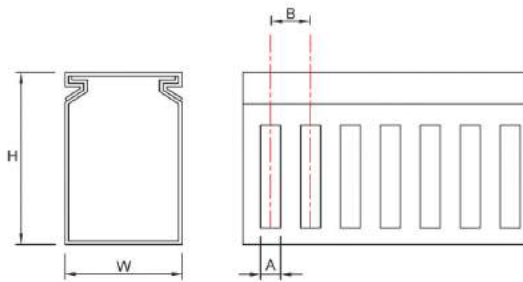
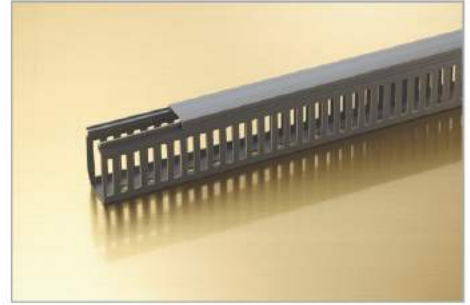


<Bottom mounting view>

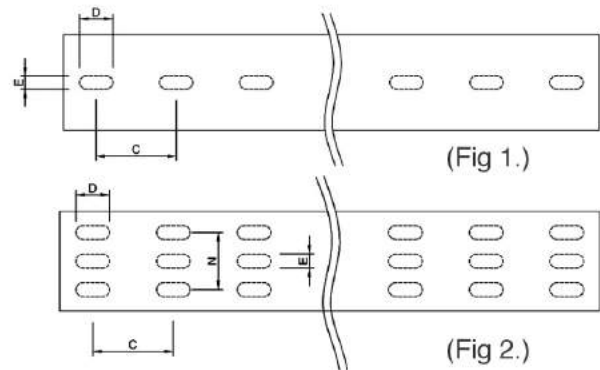
Part Number	Hole Pattern Type	Dimension (mm)								
		W	H	A	B	C	D	E	N	Length
KCWDH 20×35A	Fig 1	20	35	10	20	50	15	6	-	2000
KCWDH 25×40A		25	40	10	20					
KCWDH 25×60A		25	60	10	20					
KCWDH 30×40A		30	40	10	20					
KCWDH 30×60A		30	60	10	20					
KCWDH 30×80A		30	80	10	20					
KCWDH 40×40A		40	40	10	20					
KCWDH 40×60A		40	60	10	20					
KCWDH 40×80A		40	80	10	20					
KCWDH 40×100A		40	100	10	20					
KCWDH 60×40A		Fig 2	60	40	10					
KCWDH 60×60A	60		60	10	20					
KCWDH 60×80A	60		80	10	20					
KCWDH 60×100A	60		100	10	20					
KCWDH 60×120A	60		120	10	20					
KCWDH 80×30A	80		30	13	25					
KCWDH 80×60A	80		60	13	25					
KCWDH 80×80A	80		80	13	25					
KCWDH 80×100A	80		100	13	25					
KCWDH 80×120A	80		120	13	25					
KCWDH 100×80A	100		80	13	25					
KCWDH 100×100A	100		100	13	25					
KCWDH 100×120A	100		120	13	25					
KCWDH 150×100A	150		100	13	25					

Narrow Close Slot Wiring Duct - ABS (조밀형)

- Material : ABS
- Temperature rating : 85°C
- Color : Ivory
- Flammability : UL94 V-0



<Typical side view>

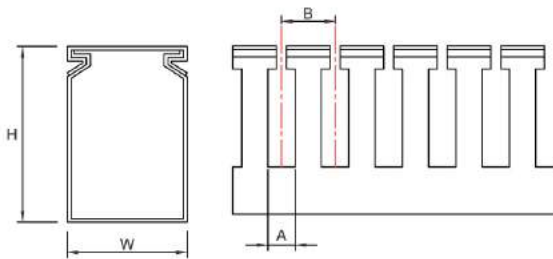
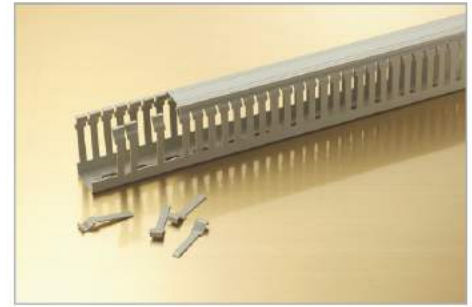


<Bottom mounting view>

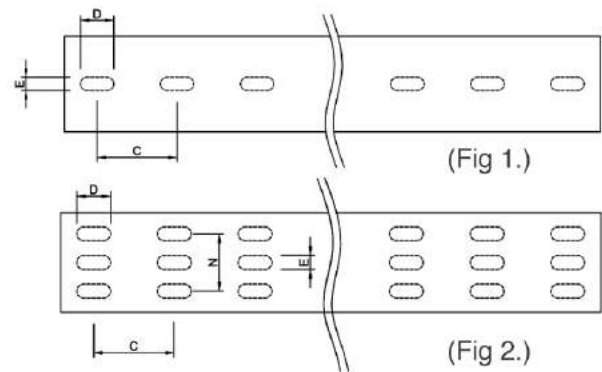
Part Number	Hole Pattern Type	Dimension (mm)								
		W	H	A	B	C	D	E	N	Length
KCWDHN 20×35A	Fig 1	20	35	5	10	50	15	6		2000
KCWDHN 25×40A		25	40							
KCWDHN 25×60A		25	60							
KCWDHN 30×40A		30	40							
KCWDHN 30×60A		30	60							
KCWDHN 30×80A		30	80							
KCWDHN 40×40A		40	40							
KCWDHN 40×60A		40	60							
KCWDHN 40×80A		40	80							
KCWDHN 40×100A		40	100							
KCWDHN 60×40A	Fig 2	60	40						35	
KCWDHN 60×60A		60	60							
KCWDHN 60×80A		60	80							
KCWDHN 60×100A		60	100							
KCWDHN 80×60A		80	60						40	
KCWDHN 80×80A		80	80							
KCWDHN 80×100A		80	100							
KCWDHN 100×80A		100	80						40	
KCWDHN 100×100A	100	100								

Wide Slot Wiring Duct - ABS (개방형)

- Material : ABS
- Temperature rating : 85°C
- Color : Ivory
- Flammability : UL94 V-0



<Typical side view>

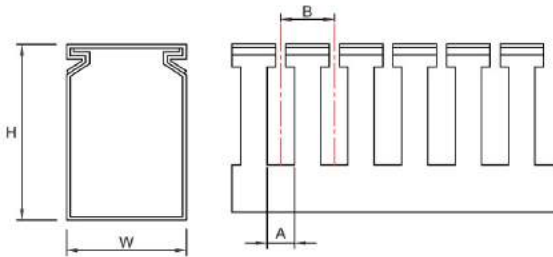


<Bottom mounting view>

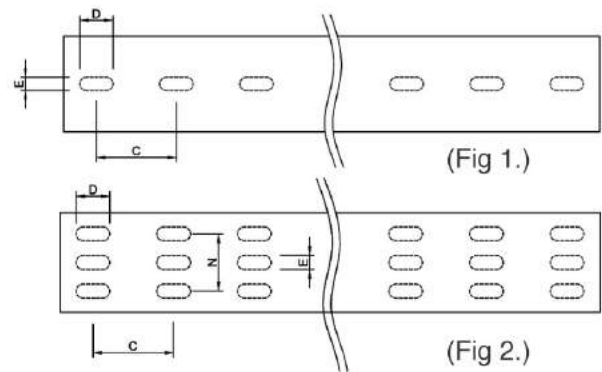
Part Number	Hole Pattern Type	Dimension (mm)								
		W	H	A	B	C	D	E	N	Length
KCWDHO 20×35A	Fig 1	20	35	10	20	50	15	6	-	2000
KCWDHO 25×40A		25	40							
KCWDHO 25×60A		25	60							
KCWDHO 30×40A		30	40							
KCWDHO 30×60A		30	60							
KCWDHO 30×80A		30	80							
KCWDHO 40×40A		40	40							
KCWDHO 40×60A		40	60							
KCWDHO 40×80A		40	80							
KCWDHO 40×100A		40	100							
KCWDHO 60×40A	Fig 2	60	40	10	20	50	15	6	35	2000
KCWDHO 60×60A		60	60							
KCWDHO 60×80A		60	80							
KCWDHO 60×100A		60	100							
KCWDHO 80×60A		80	60							
KCWDHO 80×80A		80	80							
KCWDHO 80×100A		80	100							
KCWDHO 100×80A		100	80							
KCWDHO 100×100A	100	100								

Narrow Wide Slot Wiring Duct - ABS (조밀 개방형)

- Material : ABS
- Temperature rating : 85°C
- Color : Ivory
- Flammability : UL94 V-0



<Typical side view>

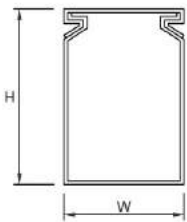
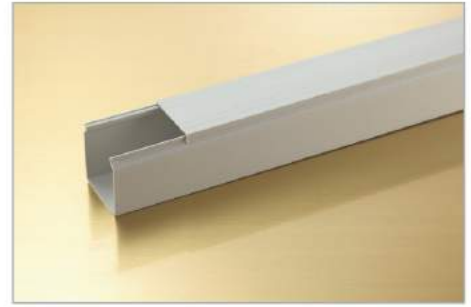


<Bottom mounting view>

Part Number	Hole Pattern Type	Dimension (mm)								
		W	H	A	B	C	D	E	N	Length
KCWDHON 20×35A	Fig 1	20	35	5	10	50	15	6	-	2000
KCWDHON 25×40A		25	40							
KCWDHON 25×60A		25	60							
KCWDHON 30×40A		30	40							
KCWDHON 30×60A		30	60							
KCWDHON 30×80A		30	80							
KCWDHON 40×40A		40	40							
KCWDHON 40×60A		40	60							
KCWDHON 40×80A		40	80							
KCWDHON 40×100A		40	100							
KCWDHON 60×40A	Fig 2	60	40	5	10	50	15	6	35	2000
KCWDHON 60×60A		60	60							
KCWDHON 60×80A		60	80							
KCWDHON 60×100A		60	100							
KCWDHON 80×60A		80	60							
KCWDHON 80×80A		80	80							
KCWDHON 80×100A		80	100							
KCWDHON 100×80A		100	80							
KCWDHON 100×100A	100	100								

Solid Slot Wiring Duct - ABS (밀폐형)

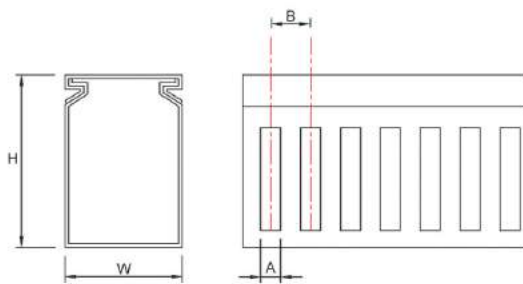
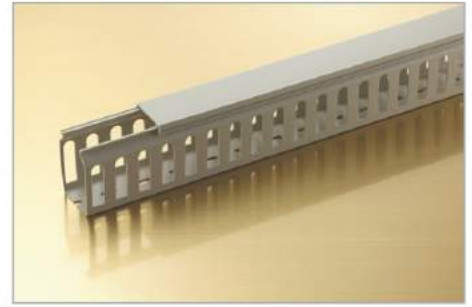
- Material : ABS
- Temperature rating : 85°C
- Color : Ivory
- Flammability : UL94 V-0



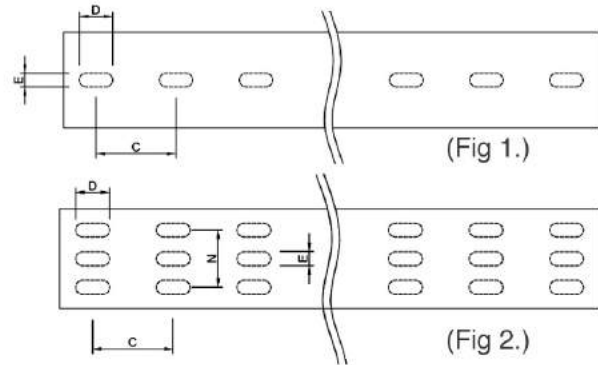
Part Number	Dimension (mm)			Part Number	Dimension (mm)		
	W	H	Length		W	H	Length
KCWDHC 20×35A	20	35	2000	KCWDHC 60×40A	60	40	2000
KCWDHC 25×40A	25	40		KCWDHC 60×60A	60	60	
KCWDHC 25×60A	25	60		KCWDHC 60×80A	60	80	
KCWDHC 30×40A	30	40		KCWDHC 60×100A	60	100	
KCWDHC 30×60A	30	60		KCWDHC 80×60A	80	60	
KCWDHC 30×80A	30	80		KCWDHC 80×80A	80	80	
KCWDHC 40×40A	40	40		KCWDHC 80×100A	80	100	
KCWDHC 40×60A	40	60		KCWDHC 100×80A	100	80	
KCWDHC 40×80A	40	80		KCWDHC 100×100A	100	100	
KCWDHC 40×100A	40	100					

Wide Close Slot Wiring Duct - Halogen Free (표준형)

- Material : ABS - Halogen free
- Temperature rating : 60°C
- Color : Ivory
- Flammability : UL94 V-2



<Typical side view>

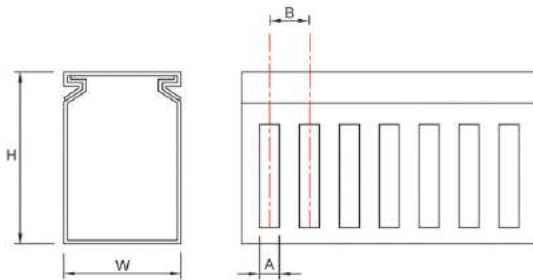


<Bottom mounting view>

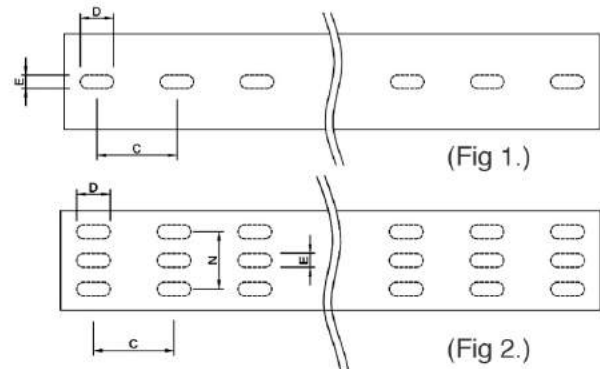
Part Number	Hole Pattern Type	Dimension (mm)								
		W	H	A	B	C	D	E	N	Length
KCWDH 20×35	Fig 1	20	35	10	20	50	15	6	-	2000
KCWDH 25×40		25	40	10	20					
KCWDH 25×60		25	60	10	20					
KCWDH 30×40		30	40	10	20					
KCWDH 30×60		30	60	10	20					
KCWDH 30×80		30	80	10	20					
KCWDH 40×40		40	40	10	20					
KCWDH 40×60		40	60	10	20					
KCWDH 40×80		40	80	10	20					
KCWDH 40×100		40	100	10	20					
KCWDH 60×40	Fig 2	60	40	10	20	50	15	6	35	2000
KCWDH 60×60		60	60	10	20					
KCWDH 60×80		60	80	10	20					
KCWDH 60×100		60	100	10	20					
KCWDH 60×120		60	120	10	20					
KCWDH 80×30		80	30	13	25					
KCWDH 80×60		80	60	13	25					
KCWDH 80×80		80	80	13	25					
KCWDH 80×100		80	100	13	25					
KCWDH 80×120		80	120	13	25					
KCWDH 100×80		100	80	13	25				40	
KCWDH 100×100		100	100	13	25					
KCWDH 100×120		100	120	13	25					
KCWDH 150×100		150	100	13	25					

Narrow Close Slot Wiring Duct - Halogen Free (조밀형)

- Material : ABS - Halogen free
- Temperature rating : 60°C
- Color : Ivory
- Flammability : UL94 V-2



<Typical side view>

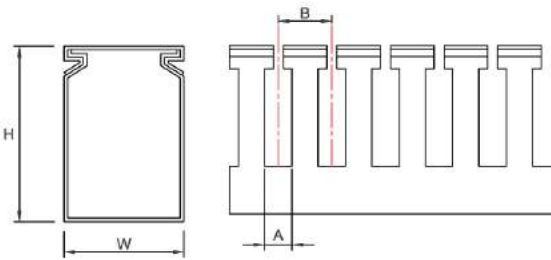


<Bottom mounting view>

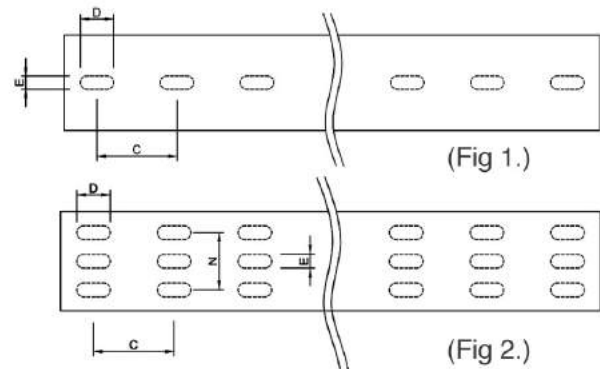
Part Number	Hole Pattern Type	Dimension (mm)									
		W	H	A	B	C	D	E	N	Length	
KCWDHN 20×35	Fig 1	20	35	5	10	50	15	6	-	2000	
KCWDHN 25×40		25	40								
KCWDHN 25×60		25	60								
KCWDHN 30×40		30	40								
KCWDHN 30×60		30	60								
KCWDHN 30×80		30	80								
KCWDHN 40×40		40	40								
KCWDHN 40×60		40	60								
KCWDHN 40×80		40	80								
KCWDHN 40×100	Fig 2	40	100	5	10	50	15	6	-	2000	
KCWDHN 60×40		60	40								35
KCWDHN 60×60		60	60								
KCWDHN 60×80		60	80								
KCWDHN 60×100		60	100								40
KCWDHN 80×60		80	60								
KCWDHN 80×80		80	80								
KCWDHN 80×100		80	100								40
KCWDHN 100×80		100	80								
KCWDHN 100×100	100	100									

Wide Slot Wiring Duct - Halogen Free (개방형)

- Material : ABS - Halogen free
- Temperature rating : 60°C
- Color : Ivory
- Flammability : UL94 V-2



<Typical side view>

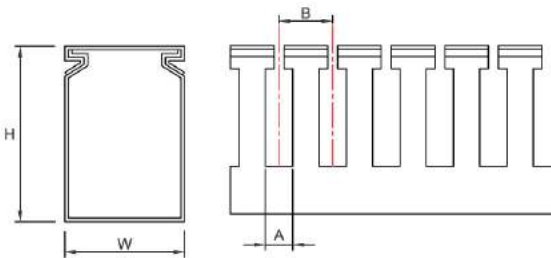


<Bottom mounting view>

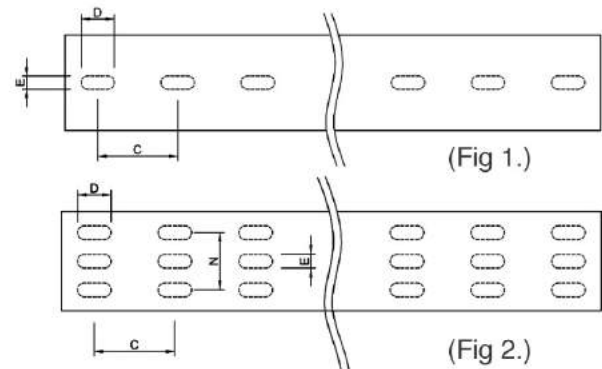
Part Number	Hole Pattern Type	Dimension (mm)								
		W	H	A	B	C	D	E	N	Length
KCWDHO 20×35	Fig 1	20	35	10	20	50	15	6	-	2000
KCWDHO 25×40		25	40							
KCWDHO 25×60		25	60							
KCWDHO 30×40		30	40							
KCWDHO 30×60		30	60							
KCWDHO 30×80		30	80							
KCWDHO 40×40		40	40							
KCWDHO 40×60		40	60							
KCWDHO 40×80		40	80							
KCWDHO 40×100		40	100							
KCWDHO 60×40	Fig 2	60	40	10	20	50	15	6	35	2000
KCWDHO 60×60		60	60							
KCWDHO 60×80		60	80							
KCWDHO 60×100		60	100							
KCWDHO 80×60		80	60							
KCWDHO 80×80		80	80							
KCWDHO 80×100		80	100							
KCWDHO 100×80		100	80							
KCWDHO 100×100		100	100							
KCWDHO 100×100		100	100							

Wide Slot Wiring Duct - Halogen Free (조밀 개방형)

- Material : ABS - Halogen free
- Temperature rating : 60°C
- Color : Ivory
- Flammability : UL94 V-2



<Typical side view>

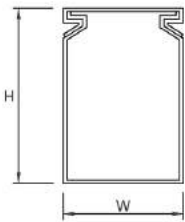
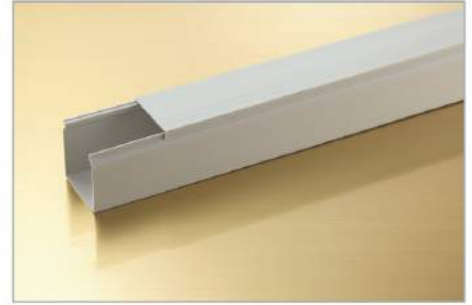


<Bottom mounting view>

Part Number	Hole Pattern Type	Dimension (mm)								
		W	H	A	B	C	D	E	N	Length
KCWDHON 20×35	Fig 1	20	35	10	20	50	15	6	-	2000
KCWDHON 25×40		25	40							
KCWDHON 25×60		25	60							
KCWDHON 30×40		30	40							
KCWDHON 30×60		30	60							
KCWDHON 30×80		30	80							
KCWDHON 40×40		40	40							
KCWDHON 40×60		40	60							
KCWDHON 40×80		40	80							
KCWDHON 40×100		40	100							
KCWDHON 60×40	Fig 2	60	40	10	20	50	15	6	35	2000
KCWDHON 60×60		60	60							
KCWDHON 60×80		60	80							
KCWDHON 60×100		60	100							
KCWDHON 80×60		80	60							
KCWDHON 80×80		80	80							
KCWDHON 80×100		80	100							
KCWDHON 100×80		100	80							
KCWDHON 100×100	100	100	40							

Solid Slot Wiring Duct - Halogen Free (밀폐형)

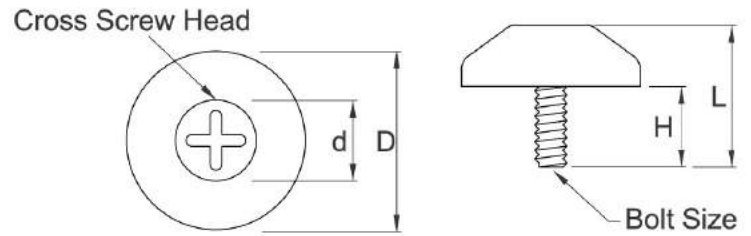
- Material : ABS - Halogen free
- Temperature rating : 60°C
- Color : Ivory
- Flammability : UL94 V-2



Part Number	Dimension (mm)			Part Number	Dimension (mm)		
	W	H	Length		W	H	Length
KCWDHC 20×35	20	35	2000	KCWDHC 60×40	60	40	2000
KCWDHC 25×40	25	40		KCWDHC 60×60	60	60	
KCWDHC 25×60	25	60		KCWDHC 60×80	60	80	
KCWDHC 30×40	30	40		KCWDHC 60×100	60	100	
KCWDHC 30×60	30	60		KCWDHC 80×60	80	60	
KCWDHC 30×80	30	80		KCWDHC 80×80	80	80	
KCWDHC 40×40	40	40		KCWDHC 80×100	80	100	
KCWDHC 40×60	40	60		KCWDHC 100×80	100	80	
KCWDHC 40×80	40	80		KCWDHC 100×100	100	100	
KCWDHC 40×100	40	100					

Duct Washer Bolt

- Material : ABS
- Flammability : UL94 V-0
- Color : Ivory



Part Number	Bolt Size	Dimension (mm)			
		d	D	H	L
KCDWB-408	M4	9.5	21	8	15
KCDWB-410	M4			10	17
KCDWB-510	M5			10	17

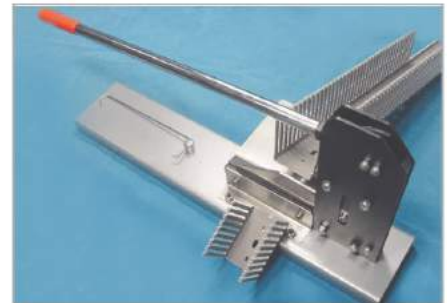
Wiring Duct Cutter



KL-42W
Width: Max. 100mm



KWT-3
Width: Max. 100mm
Weight: 8Kg



KWT-4
Width: Max. 130mm
Weight: 11Kg

Hook Band

- Material : Polyester Flame Retardant
- Coating : PVC
- Color : Gray



Part Number	Bundle Dia(Ø)	Width(mm)	Hook Pitch(mm)	Spool Quantity
KCHB-15	15	60	80	50M
KCHB-20	20	80		
KCHB-25	25	95		
KCHB-30	30	110		
KCHB-40	40	140		
KCHB-50	50	170		
KCHB-60	60	200		
KCHB-70	70	215		
KCHB-80	80	230		
KCHB-90	90	270		
KCHB-100	100	320		

Hook Band-Black

- Material : Polyester Flame Retardant
- Coating : PVC
- Color : Black

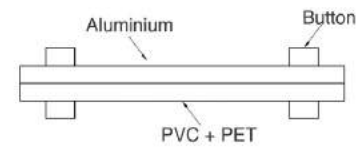
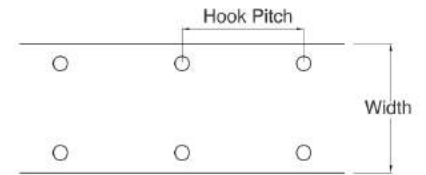


Part Number	Bundle Dia(Ø)	Width(mm)	Hook Pitch(mm)	Spool Quantity
KCHB-10B	10	60	80	50M
KCHB-15B	15	75		
KCHB-20B	20	90		
KCHB-25B	25	110		
KCHB-30B	30	125		
KCHB-40B	40	155		
KCHB-50B	50	190		
KCHB-60B	60	215		
KCHB-70B	70	250		
KCHB-80B	80	285		
KCHB-90B	90	315		
KCHB-100B	100	345		

Cable Shield Tube

- Material : PVC Film + PET Film + AL Foil (0.01mm)
- Flame Retardant : Same as UL94 VTM-O
- Operating Temperature : -15°C ~ 60°C

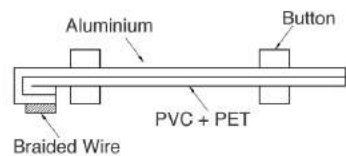
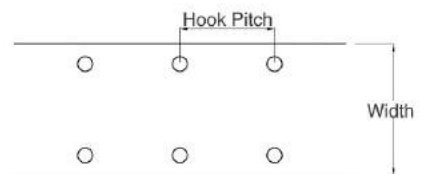
Part Number	Bundle Dia(Ø)	Width(mm)	Hook Pitch(mm)	Spool Quantity
KCST-10	10	60	80	50M
KCST-15	15	75		
KCST-20	20	90		
KCST-25	25	100		
KCST-30	30	125		
KCST-40	40	155		
KCST-50	50	190		
KCST-60	60	215		
KCST-70	70	250		
KCST-80	80	285		
KCST-90	90	315		
KCST-100	100	345		



Cable Shield Tube - Ground Wire

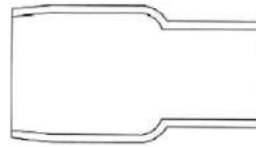
- Material : PVC Film + PET Film + AL Foil (0.01mm) +Ground Wire
- Flame Retardant : Same as UL94 VTM-O
- Operating Temperature : -15°C ~ 60°C
- Ground Wire : Tin plated Copper

Part Number	Bundle Dia(Ø)	Width(mm)	Hook Pitch(mm)	Spool Quantity
KCST-10G	10	70	80	50M
KCST-15G	15	85		
KCST-20G	20	100		
KCST-25G	25	115		
KCST-30G	30	125		
KCST-40G	40	160		
KCST-50G	50	190		
KCST-60G	60	220		
KCST-70G	70	255		
KCST-80G	80	290		
KCST-90G	90	320		
KCST-100G	100	345		



Terminal Caps

- Material : Soft PVC
- Maximum service temperature : 80°C
- Standard Color : Red, Blue, Yellow, White, Black
(Other color available on special order)

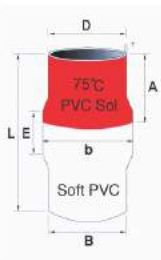


Part Number	Wire Range (mm ²)	Part Number	Wire Range (mm ²)
KCPC-1.5	1.5	KCPC-70	70
KCPC-2.5	2.5	KCPC-95	95
KCPC-4	4	KCPC-120	120
KCPC-6	6	KCPC-150	150
KCPC-10	10	KCPC-185	185
KCPC-16	16	KCPC-240	240
KCPC-25	25	KCPC-300	300
KCPC-35	35	KCPC-400	400
KCPC-50	50	KCPC-500	500



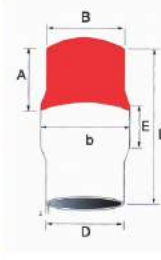
Eye Tubular Cable Lug Thermo Caps

- Material : Soft PVC / PVC Sol



Type-One Hole

Part Number	Wire Range (mm ²)	Dimension (mm)						
		D	B	E	L	b	T	A
KCEO 2	2.5	3.8	4	3.5	15	5	0.8	9.5
KCEO 4	4	4.5	5	5	21	6	0.9	12.5
KCEO 6	6	5.2	5.5	6	21	6.5	1	7.5
KCEO 10	10	6.4	6.8	7	29	7.5	1.1	10
KCEO 16	16	7.5	8.5	9	29	10	1.2	12
KCEO 25	25	9.5	10	10	32	12	1.5	17
KCEO 35	35	11.5	13	12	35	14	1.5	18.5
KCEO 50	50	14	15	15	40	18	1.5	18.9
KCEO 70	70	15.5	17	18	45	20	1.5	23.5
KCEO 95	95	17.5	19	19	50	22	1.5	26
KCEO 120	120	18	20	25	65	24	1.5	26
KCEO 150	150	21	22	29	68	26	1.6	28.5
KCEO 185	185	24.5	28	30	68	31	1.7	35.4
KCEO 240	240	27.5	31	32	73	35	1.9	32.6
KCEO 300	300	30.5	36	34	75	39	2.3	40

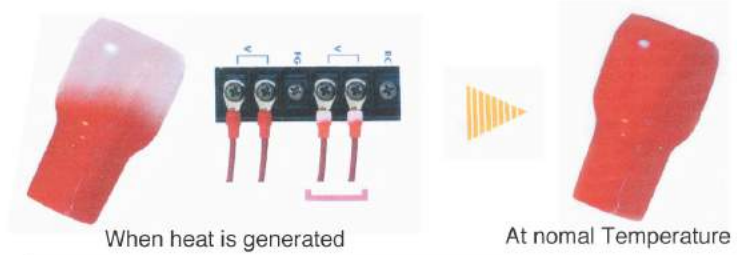
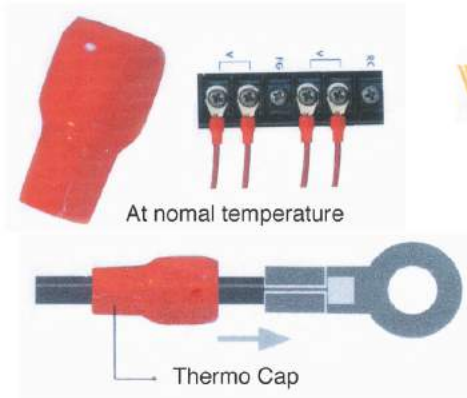


Type-Two Hole

Part Number	Wire Range (mm ²)	Dimension (mm)						
		D	B	E	L	b	T	A
KCET 25	25	9	11	10	30	9	1.2	12
KCET 35	35	10	13	12	32	10	1.5	17
KCET 50	50	12	13	26	53	16	1.3	19.4
KCET 70	70	15	15	28	56	18	1.5	20
KCET 95	95	17	16	32	63	20	1.5	21.1
KCET 120	120	19	20	38	70	22	1.5	22.8
KCET 150	150	21	21	40	71	24	1.5	22.8
KCET 185	185	23	23	42	78	27	1.8	27.5
KCET 240	240	27	25	45	86	32	1.5	23.5
KCET 300	300	29	28	58	98	35	2.1	27.1
KCET 400	400	33	31	65	106	38	2.3	27.9
KCET 500	500	39	35	68		44		

Thermo Terminal Caps

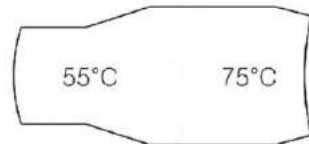
- Material : PVC Sol
- Temperature : 105°C
- Color : Red, Blue, Black, Yellow, Green
- Change of temperature setting of 75°C degrees.



Part Number	Wire Range(mm ²)	Part Number	Wire Range(mm ²)
KCTC 1.5T	1.5	KCTC 50T	50
KCTC 2.5T	2.5	KCTC 70T	70
KCTC 4T	4	KCTC 95T	95
KCTC 6T	6	KCTC 120T	120
KCTC 10T	10	KCTC 150T	150
KCTC 16T	16	KCTC 185T	185
KCTC 25T	25	KCTC 240T	240
KCTC 35T	35	KCTC 300T	300

Thermo Sensor Cap

- Material : PVC Sol
- Maximum service temperature : 105°C
- Standard Color : Red, Blue, Yellow, Green, Black
- Change of temperature setting of 75°C or 55°C



For Terminal Lug

Part Number	Wire Range (mm ²)	Part Number	Wire Range (mm ²)
KCTC-1.5	1.5	KCTC-70	70
KCTC-2.5	2.5	KCTC-95	95
KCTC-4	4	KCTC-120	120
KCTC-6	6	KCTC-150	150
KCTC-10	10	KCTC-185	185
KCTC-16	16	KCTC-240	240
KCTC-25	25	KCTC-300	300
KCTC-35	35	KCTC-400	400
KCTC-50	50	KCTC-500	500

For Tubular Cable Lug

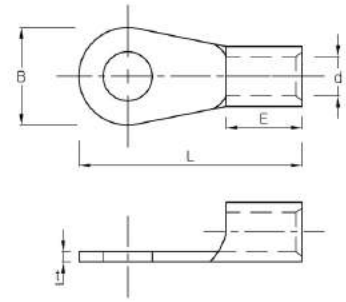
Part Number	Wire Range (mm ²)	Part Number	Wire Range (mm ²)
KCTC2H 25	25	KCTC2H 150	150
KCTC2H 35	35	KCTC2H 185	185
KCTC2H 50	50	KCTC2H 240	240
KCTC2H 70	70	KCTC2H 300	300
KCTC2H 95	95	KCTC2H 400	400
KCTC2H 100	100		




Non-Insulated Terminals

TYPE-JOR(R)

- Material : Oxygen Free Copper
- Surface : Tin plated
- Brazed Seam

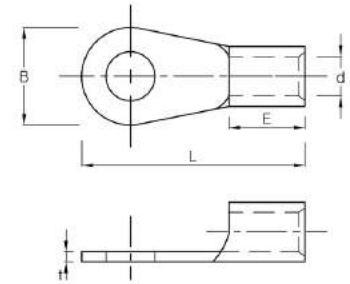



Part Number		Wire Range		Stud size (mm)	Dimension (mm)					Q' ty/ bag	
		AWG	Stranded (mm ²)		B	L	E	d	t		
JOR 1.5-3	○	22~16	1.5	3	5.5	12.5	5.0	1.7	0.7	1,000	
JOR 1.5-S3.5				3.5		12.5					
JOR 1.5-3.5	○			3.5	6.6	15.5					
JOR 1.5-K4	○			4							
JOR 1.5-4	○			4	8						
JOR 1.5-M4	○			4	5.8						
JOR 1.5-5	○				5	8					
JOR 1.5-6					6	11.4					20.8
JOR 1.5-8					8						21.2
JOR 1.5-10					10	14					22.5
JOR 1.5-12					12	17					26
JOR 2.5-M3		16~14	2.5	3	6	16	5.0	2.3	0.8	1,000	
JOR 2.5-3.5	○			3.5	6.6	16.5					
JOR 2.5-K3.5				3.5	7.9	17.4					
JOR 2.5-4	○			4	8.5	16.5					
JOR 2.5-M4	○			4	6.6	17.4					
JOR 2.5-K4				4	7.9						
JOR 2.5-S5				5	7.9						
JOR 2.5-5	○				5	9.5					17.2
JOR 2.5-M6					6						17.3
JOR 2.5-6	○				6	12					21.5
JOR 2.5-8	○				8						
JOR 2.5-10			10	14	22.5						
JOR 2.5-12			12	17	26						
JOR 4-M4		14~12	4	4	6.7	17.8	7.0	3.0	0.9	1,000	
JOR 4-4				4	8.3	17.5					
JOR 4-5				5							
JOR 4-6				6	11.4	23					
JOR 4-8				8							
JOR 4-10				10	14	24.5					
JOR 4-12				13	16	25.2					
JOR 6-S3.5		14~12 12~10	4, 6	3.5	7.9	19	7.0	3.4	0.9	1,000	
JOR 6-3.5				3.5	9.5	20					
JOR 6-M4				4	7.0	18					
JOR 4, 6-4	○			4	9.5	20					
JOR 4, 6-5	○			5							
JOR 4, 6-6	○			6	12	25.5					
JOR 6-K6				6							
JOR 6-S8				8	13.5	26.2					
JOR 4, 6-8	○			8	15	28					
JOR 4, 6-10	○			10							
JOR 6-12				12	16	25.5					
JOR 10-M5		8	10	5	10.9	25	8.5	4.5	1.15	500	
JOR 10-S5				5	9						
JOR 10-5	○			5	12						
JOR 10-6	○			6							
JOR 10-8	○			8	15	30					
JOR 10-10	○			10	20	35					
JOR 16-S5		6	16	5	10	29.5	10.5	5.8	1.45	300	
JOR 16-5	○			5	12						
JOR 16-6	○			6							
JOR 16-S8				8	13.5	29.5					
JOR 16-8	○			8	16	32.5					
JOR 16-10	○			10							
JOR 16-12	○			12	22	38					
JOR 16-14	○	14									
JOR 16-16			16	30	50						

Non-Insulated Terminals

TYPE-JOR(R)

- Material : Oxygen Free Copper
- Surface : Tin plated
- Brazed Seam

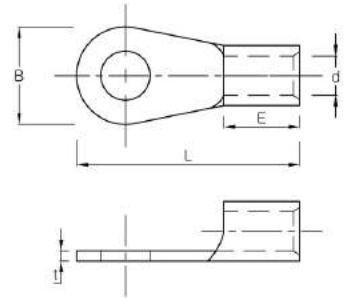



Part Number		Wire Range		Stud size (mm)	Dimension (mm)					
		AWG	Stranded (mm ²)		B	L				
JOR 25-S6	○	3~4	25	6	12	33	11.5	7.7	1.7	300
JOR 25-6	○			6	16.5	34				
JOR 25-S8	○			8	12	33.3				
JOR 25-8	○			8	16.5	34				
JOR 25-S10	○			10	17.5	39				
JOR 25-10	○			10	22	43				
JOR 25-12	○			12	22	43				
JOR 25-14	○			14	30	52				
JOR 25-16	○			16	30	52				
JOR 25-20	○			20	30	52				
JOR 35-S6	○	2	35	6	16	37	14	9.4	1.8	200
JOR 35-S8	○			8	16	37				
JOR 35-6	○			6	22	42.5				
JOR 35-8	○			8	22	42.5				
JOR 35-S10	○			10	16	37				
JOR 35-10	○			10	22	42.5				
JOR 35-12	○			12	22	42.5				
JOR 35-14	○			14	30	52.5				
JOR 35-16	○			16	30	52.5				
JOR 35-20	○			20	30	52.5				
JOR 50-6	○	1~1/0	50	6	22	49.5	18	11.4	1.8	100
JOR 50-8	○			8						
JOR 50-10	○			10						
JOR 50-12	○			12						
JOR 50-14	○			14						
JOR 50-16	○			16						
JOR 50-20	○			20	32	57				
JOR 70-8	○	2/0	70	8.4	24	50.5	18.5	13.3	2.0	100
JOR 70-10	○			10.5						
JOR 70-12	○			12						
JOR 70-14	○			14						
JOR 70-16	○			16						
JOR 70-20	○			20						
JOR 95-8	○	3/0	95	8.4	27	54	19	14.5	2.3	100
JOR 95-10	○			10.5						
JOR 95-12	○			13						
JOR 95-14	○			15						
JOR 95-16	○			17						
JOR 95-20	○			20						
JOR 100-8	○	4/0	100	8.4	28.5	54.5	19	16.4	2.6	50
JOR 100-10	○			10.5						
JOR 100-12	○			13						
JOR 100-14	○			15						
JOR 100-16	○			17						
JOR 100-18	○			19						
JOR 100-20	○	21								
JOR 120-8	○	250 Kcmil	120	8.4	32.5	61.5	22	18	3.2	50
JOR 120-10	○			10.5						
JOR 120-12	○			13						
JOR 120-14	○			15						
JOR 120-16	○			17						
JOR 120-20	○			21						

Non-Insulated Terminals

TYPE-JOR(R)

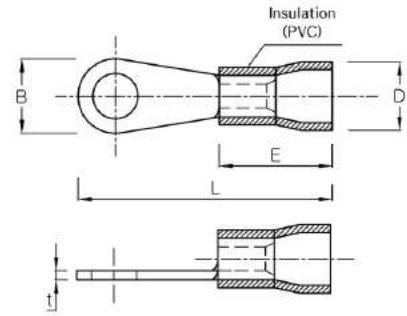
- Material : Oxygen Free Copper
- Surface : Tin plated
- Brazed Seam



Part Number		Wire Range		Stud size (mm)	Dimension (mm)					Q' ty/ bag							
		AWG	Stranded (mm ²)		B	L	E	d	t								
JOR 150-8		300Kcmil	150	8	36	67	27	19.5	3.2	30							
JOR 150-10	○			10													
JOR 150-12	○			12													
JOR 150-14	○			14													
JOR 150-16	○			16		83.5											
JOR 150-18	○			18													
JOR 150-20	○			20													
JOR 150-24	○			24													
JOR 185-10	○	350Kcmil	185	10.5	38.5	68.5	28.5	21	3.5	30							
JOR 185-12	○			12													
JOR 185-14	○			14													
JOR 185-16	○			16													
JOR 185-18	○			18		85.5											
JOR 185-20	○			20													
JOR 185-22	○			22													
JOR 185-24	○			24													
JOR 240-S10		400 ~ 500 Kcmil	240	10	44	77.5	31.5	24	4.0	30							
JOR 240-S12				12													
JOR 240-10	○			10													
JOR 240-12	○			12													
JOR 240-14	○			14		93											
JOR 240-16	○			16													
JOR 240-18	○			18													
JOR 240-20	○			20													
JOR 240-22	○			22													
JOR 240-24	○			24													
JOR 240-27	○			27													
JOR 250-S10				500Kcmil		250					10	44	77.5	31.5	26	4.0	25
JOR 250-S12											12						
JOR 250-10											10						
JOR 250-12		12															
JOR 250-14		14	91.5														
JOR 250-16		16															
JOR 250-18		18															
JOR 250-20		20															
JOR 250-22		22															
JOR 250-24		24															
JOR 250-27		27															
JOR 300-10	○	600Kcmil	300	10	50.5	88	35.5	28	4.2	16							
JOR 300-12	○			12													
JOR 300-14	○			14													
JOR 300-16	○			16													
JOR 300-18	○			18		108											
JOR 300-20	○			20													
JOR 300-22	○			22													
JOR 300-24	○			24													
JOR 300-27	○	27															

Insulated Terminals TYPE-RBV(R)

- Material : Oxygen Free Copper
- Surface : Tin plated
- Insulation : PVC
- Insulation temperature rated at 105°C



Part Number		Wire Range		Stud size (mm)	Dimension (mm)					Color	Q' ty/ bag							
Without Brazed Seam	Brazed Seam	AWG	Stranded (mm ²)		B	L	E	D	t									
JOPR 1.5-3	JOPR 1.5-3W	22-16	1.5	3	5.5	17.5	10	6.1	0.7	RED BLUE YELLOW WHITE BLACK	1,000							
JOPR 1.5-S3.5	JOPR 1.5-S3.5W			3.5	5.5													
JOPR 1.5-3.5	JOPR 1.5-3.5W			3.5	6.6	21												
JOPR 1.5-K4	JOPR 1.5-K4W			4	5.8													
JOPR 1.5-M4	JOPR 1.5-M4W			4	8.0													
JOPR 1.5-4	JOPR 1.5-4W			5	11.4	25.8												
JOPR 1.5-5	JOPR 1.5-5W			6	26.2													
JOPR 1.5-6	JOPR 1.5-6W			8	27.5	31												
JOPR 1.5-8	JOPR 1.5-8W			10	17													
JOPR 1.5-10	JOPR 1.5-10W			12	14	16-14						2.5	10	6.6	0.8	BLUE RED YELLOW WHITE BLACK	1,000	
JOPR 2.5-M3	JOPR 2.5-M3W			3	6													21
JOPR 2.5-3.5	JOPR 2.5-3.5W			3.5	6.6													22
JOPR 2.5-K3.5	JOPR 2.5-K3.5W	3.5	7.9	22.7														
JOPR 2.5-M4	JOPR 2.5-M4W	4	6.6	22														
JOPR 2.5-4	JOPR 2.5-4W	4	8.5	22														
JOPR 2.5-K4	JOPR 2.5-K4W	4	7.9	23.9														
JOPR 2.5-S5	JOPR 2.5-S5W	5	9.5	23.5														
JOPR 2.5-5	JOPR 2.5-5W	5	12	26.5														
JOPR 2.5-M6	JOPR 2.5-M6W	6	8	26.5														
JOPR 2.5-6	JOPR 2.5-6W	6	10	29.5														
JOPR 2.5-8	JOPR 2.5-8W	8	12	29.5														
JOPR 2.5-10	JOPR 2.5-10W	10	14	30.8														
JOPR 2.5-12	JOPR 2.5-12W	12	17	30.8														
JOPR 4-M4	JOPR 4-4W	14-12	4	4	6.7	25	14	7.5	0.9	YELLOW RED BLUE WHITE BLACK	1,000							
JOPR 4-4	JOPR 4-5W			4	8.3													
JOPR 4-5	JOPR 4-5W			5	8.3													
JOPR 4-6	JOPR 4-6W			6	11.4	30												
JOPR 4-8	JOPR 4-8W			8	14	31.5												
JOPR 4-10	JOPR 4-10W			10	16	32.5												
JOPR 4-12	JOPR 4-12W			12	16	32.5												
JOPR 6-S3.5	JOPR 6-S3.5W	14-12 12-10	4, 6	3.5	7.9	26	14	8.3	0.9	YELLOW RED BLUE WHITE BLACK GREEN	1,000							
JOPR 6-3.5	JOPR 6-3.5W			3.5	9.5	26.5												
JOPR 6-M4	JOPR 6-M4W			4	7	25												
JOPR 4, 6-4	JOPR 4, 6-4W			4	9.5	26.5												
JOPR 4, 6-5	JOPR 4, 6-5W			5	9.5	34.7												
JOPR 4, 6-6	JOPR 4, 6-6W			6	12	34.7												
JOPR 6-K6	JOPR 6-K6W			6	13.5	26.5												
JOPR 6-S8	JOPR 6-S8W			8	13.5	34												
JOPR 4, 6-8	JOPR 4, 6-8W			8	15	37												
JOPR 4, 6-10	JOPR 4, 6-10W			10	16	32.5												
JOPR 6-12	JOPR 6-12			12	16	32.5												

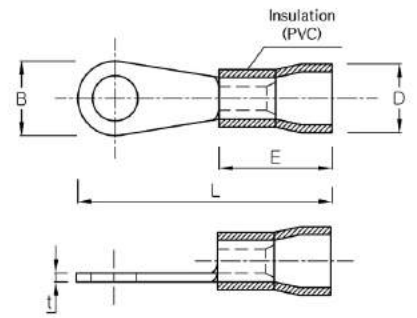
*Crimping Tool : See Chart Page C3~C11

When ordering products add postfix "Color & Insulation type" to the partnumber(ex JOPR 1.5-3 Black Straight)



Insulated Terminals

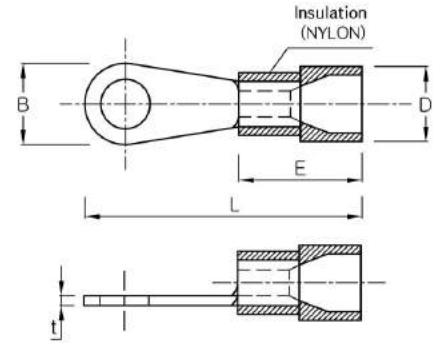
TYPE-RBV(R)
(Continued)



Part Number (Brazead Seam)	Wire Range		Stud Size (mm)	Dimension (mm)					Color	Q' ty/ Box	
	AWG#	Stranded mm ²		B	L	D	T	E			
JOPR 10 – M5W	8	10	5	10.9	32.5	11.0	1.15	16	RED	500	
JOPR 10 – S5W			5	9.0	32.5						
JOPR 10 – 5W			5	12	32						
JOPR 10 – 6W			6								
JOPR 10 – 8W			8	15	38.5						
JOPR 10 – 10W			10								
JOPR 10 – 12W			12								20
JOPR 16 – S5W	6	16	5	9.0	12.9	1.45	21	BLUE	300		
JOPR 16 – 5W			5	12						41	
JOPR 16 – 6W			6								
JOPR 16 – S8W			8	13.5						16	44.5
JOPR 16 – 8W			8								
JOPR 16 – 10W			10	22							
JOPR 16 – 12W			12	22						50.5	
JOPR 25 – S6W	4	25	6	12	46	16.2	1.7	25	YELLOW	300	
JOPR 25 – 6W			6	16.5	46.2						
JOPR 25 – S8W			8	12	46						
JOPR 25 – 8W			8	16.5	46.2						
JOPR 25 – S10W			10								
JOPR 25 – 10W			10	17.5	51.5						
JOPR 25 – 12W			12	22	55.5						
JOPR 35 – S6W	2	35	6	16	48	18.1	1.8	28	RED	200	
JOPR 35 – 6W			6	22	54.3						
JOPR 35 – S8W			8	16	48						
JOPR 35 – 8W			8	22	54.3						
JOPR 35 – S10W			10	16	48						
JOPR 35 – 10W			10	22	54.3						
JOPR 35 – 12W			12								

Insulated Terminals - Funnel Entry TYPE-RBP(R)

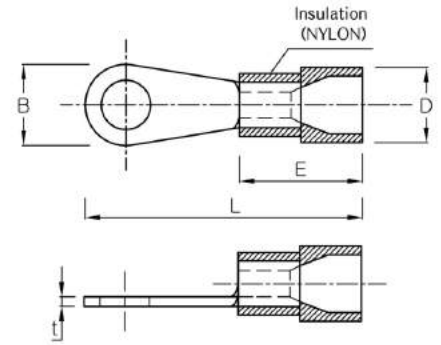
- Material : Oxygen Free Copper
- Surface : Tin plated
- Insulation : Nylon, Below 6mm²~ Transparenay,
Above 16 mm²~ Translucent
- High Temperature (to 125°C) Applications



Part Number		Wire Range		Stud size (mm)	Dimension (mm)					Color	Q' ty/ bag
Without Brazed Seam	Brazed Seam	AWG	Stranded (mm ²)		B	L	E	D	t		
JONR 1.5-3	JONR 1.5-3W	22-16	1.5	3	5.5	20	11	6.1	0.7	RED	1,000
JONR 1.5-S3.5	JONR 1.5-S3.5W			3.5	5.5						
JONR 1.5-3.5	JONR 1.5-3.5W			3.5	6.6	23.3					
JONR 1.5-K4	JONR 1.5-K4W			4	5.8	22.2					
JONR 1.5-M4	JONR 1.5-M4W			4	8.0	23.5					
JONR 1.5-4	JONR 1.5-4W			5	11.4	28.2					
JONR 1.5-5	JONR 1.5-5W			6	14.0	30.3					
JONR 1.5-6	JONR 1.5-6W			8	17.0	33.8					
JONR 1.5-8	JONR 1.5-8W			10	23.5	23.5					
JONR 1.5-10	JONR 1.5-10W			12	24.5						
JONR 1.5-12	JONR 1.5-12W			3.5	7.9	25.2					
JONR 2.5-M3	JONR 2.5-M3W	3	6.0	23.5							
JONR 2.5-3.5	JONR 2.5-3.5W	3.5	6.6	24.5							
JONR 2.5-K3.5	JONR 2.5-K3.5W	3.5	7.9	25.2							
JONR 2.5-M4	JONR 2.5-M4W	4	6.5	22.5							
JONR 2.5-4	JONR 2.5-4W	4	8.5	24.3							
JONR 2.5-K4	JONR 2.5-K4W	4	7.9	25.2							
JONR 2.5-S5	JONR 2.5-S5W	5	9.5	24.8							
JONR 2.5-5	JONR 2.5-5W	5	12	29.3							
JONR 2.5-M6	JONR 2.5-M6W	6	14	30.3							
JONR 2.5-6	JONR 2.5-6W	6	17	33.8							
JONR 2.5-8	JONR 2.5-8W	8	27.5	14.5	7.8	0.9	YELLOW GREEN	1,000			
JONR 2.5-10	JONR 2.5-10W	10	27.5								
JONR 2.5-12	JONR 2.5-12W	12	27.5								
JONR 4-M4	JONR 4-M4W	4	8.3						27.5		
JONR 4-4	JONR 4-4W	5	8.3						27.5		
JONR 4-5	JONR 4-5W	6	11.4						32.5		
JONR 4-6	JONR 4-6W	8	14						34		
JONR 4-8	JONR 4-8W	10	16	35							
JONR 4-10	JONR 4-10W	12	28	14.5	8.3	0.9	YELLOW GREEN	1,000			
JONR 4-12	JONR 4-12W	3.5	7.9						27.8		
JONR 6-S3.5	JONR 6-S3.5W	3.5	9.5						27.8		
JONR 6-3.5	JONR 6-3.5W	4	7						26.3		
JONR 6-M4	JONR 6-M4W	4	9.5						27.8		
JONR 4, 6-4	JONR 4, 6-4W	5	9.5						27.8		
JONR 4, 6-5	JONR 4, 6-5W	6	12						36		
JONR 4, 6-6	JONR 4, 6-6W	6	12						34.6		
JONR 6-K6	JONR 6-K6W	8	13.5						36		
JONR 6-S8	JONR 6-S8W	8	15						36.3		
JONR 4, 6-8	JONR 4, 6-8W	10	16						33.8		
JONR 4, 6-10	JONR 4, 6-10W	12									
JONR 6-12	JONR 6-12W										

*Crimping Tool : See Chart Page C3~C11

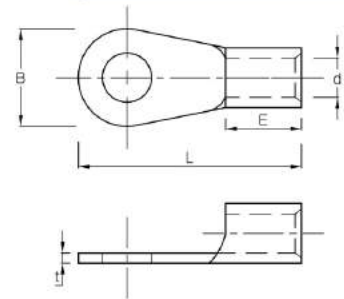
Insulated Terminals - Funnel Entry TYPE-RBP(R) (Continued)



Part Number (Braze Seam)	Wire Range		Stud Size (mm)	Dimension (mm)					Color	Q'ty/ Box
	AWG#	Stranded mm ²		B	L	D	T	E		
JONR 10 - M5W	8	10	5	10.9	32.5	10.8	1.15	17	RED	500
JONR 10 - S5W			5	9.0	32.5					
JONR 10 - 5W			5	12	32					
JONR 10 - 6W			6	15	38.5					
JONR 10 - 8W			8	20	44					
JONR 10 - 10W			10	22	50.5					
JONR 10 - 12W			12	22	50.5					
JONR 16 - S5W	6	16	5	9.0	42	12.9	1.45	22	BLUE	300
JONR 16 - 5W			5	12	41					
JONR 16 - 6W			6	13.5	44.5					
JONR 16 - S8W			8	16	50.5					
JONR 16 - 8W			8	16	50.5					
JONR 16 - 10W			10	22	50.5					
JONR 16 - 12W			12	22	50.5					
JONR 25 - S6W	4	25	6	12	46	16.2	1.7	25	YELLOW	300
JONR 25 - 6W			6	16.5	46.2					
JONR 25 - S8W			8	12	46					
JONR 25 - 8W			8	16.5	46.2					
JONR 25 - S10W			10	17.5	51.5					
JONR 25 - 10W			10	22	55.5					
JONR 25 - 12W			12	22	55.5					
JONR 35 - S6W	2	35	6	16	48	18.1	1.8	28	RED	200
JONR 35 - 6W			6	22	54.3					
JONR 35 - S8W			8	16	48					
JONR 35 - 8W			8	22	54.3					
JONR 35 - S10W			10	16	48					
JONR 35 - 10W			10	22	54.3					
JONR 35 - 12W			12	22	54.3					

Non-Insulated Terminals TYPE-JOT(R)

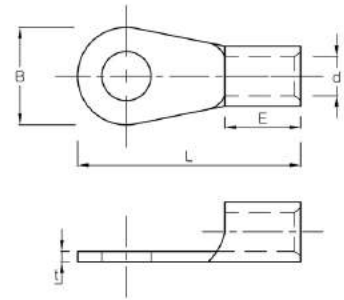
- Material : Electrolytic Copper
- Surface : Tin plated
- With or Without Brazed Seam



Part Number	Wire Range		Stud Size (mm)	Dimension (mm)				
	AWG	mm ²		B	L	E	d	t
JOT 1.0-3.5	26 ~	0.75	3.5	6.1	13.7	4.0	1.7	0.65
JOT 1.0-4	22	1.0	4					
JOT 1.5-33	20 ~ 16	1.5	3	5.4	11.3	5.0	2.0	0.65
JOT 1.5-M3			3	5.8	14.0			
JOT 1.5-44			4	6.1	13.8			
JOT 1.5-M4			4	5.8	14.8			
JOT 1.5-54			5	8.0	15.8			
JOT 1.5-6			6	11.4	20.8			
JOT 1.5-8			8		21.2			
JOT 1.5-10			10	14.0	22.5			
JOT 1.5-12			12	17.0	26.0			
JOT 2.5-M3			16 ~ 14	2.5	3			
JOT 2.5-4	4	6.5			15.0			
JOT 2.5-M4	4	6.0			16.0			
JOT 2.5-54	5	8.0			15.9			
JOT 2.5-6	6	9.4			17.5			
JOT 2.5-8	8	11.5			21.6			
JOT 2.5-10	10	14.0			22.5			
JOT 2.5-12	12	17.0			22.8			
JOT 4-M4	14 ~ 12	4	4	6.7	17.8	6.8	3.0	0.75
JOT 4-54			5	8.3	17.5			
JOT 4-6			6	11.4	23.0			
JOT 4-8			8					
JOT 4-10			10					23.5
JOT 4-12			12	16.0	25.2			0.8
JOT 6-M4	12 ~ 10	6	4	7.0	18.0	7.0	3.4	0.8
JOT 6-54			5	9.0	19.0			
JOT 6-6			6	12.4	23.0			
JOT 6-8			8					
JOT 6-10			10					
JOT 6-12			12	16.0	25.5			
JOT 10-4	8	10	4	9.0	24.0	8.5	4.8	0.9
JOT 10-5			5					
JOT 10-6			6					
JOT 10-8			8	15.0	29.0			
JOT 10-10			10					
JOT 10-12			12	20.0	35.0			
JOT 10-16			16					
JOT 16-5	6	16	5	12.0	29.0	11.0	6.8	1.1
JOT 16-6			6					
JOT 16-8			8	16.0	30.0			
JOT 16-10			10					
JOT 16-12			12					
JOT 16-16			16	22.0	40.0			
JOT 25-5			3~4	25	5			
JOT 25-6	6							
JOT 25-8	8	16.0			34.0			
JOT 25-10	10							
JOT 25-12	12	22.0			42.5			
JOT 25-16	16							

*When ordering products with brazed seam 1.5mm²~6mm², add the postfix "B" to the part Number (ex JOT125 → JOT125B)

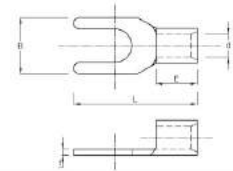
Non-Insulated Terminals (Continued)



Part Number	Wire Range		Stud Size (mm)	Dimension (mm)				
	AWG	mm ²		B	L	E	d	t
JOT 35-6	2	35	6	15.0	36.0	14.0	9.7	1.4
JOT 35-8			8					
JOT 35-10			10					
JOT 35-12			12					
JOT 35-16			16					
JOT 50-6	1~1/0	50	6	20.0	44.0	17.5	11.8	1.6
JOT 50-8			8					
JOT 50-10			10					
JOT 50-12			12					
JOT 50-16			16					
JOT 50-20			20	31.0	56.0			
JOT 70-8	2/0	70	8	23.0	49.5	19.5	14.4	1.8
JOT 70-10			10					
JOT 70-12			12					
JOT 70-16			16					
JOT 70-20			20					
JOT 95-8	3/0 ~ 4/0	95	8	24.0	50.0	21.0	16.0	2.0
JOT 95-10			10					
JOT 95-12			12					
JOT 95-16			16					
JOT 95-20			20					
JOT 120-8	250Kcmil	120	8	27.0	56.0	22.0	17.0	2.2
JOT 120-10			10					
JOT 120-12			12					
JOT 120-16			16					
JOT 120-20			20					
JOT 150-10	300Kcmil	150	10	36.0	66.0	27.5	20.2	2.4
JOT 150-12			12					
JOT 150-16			16					
JOT 150-20			20					
JOT 185-10	350~400Kcmil	185	10	36.0	70.0	31.0	22.1	2.7
JOT 185-12			12					
JOT 185-16			16					
JOT 185-20			20					
JOT 240-10	500Kcmil	240	10	36.0	71.0	32.5	25.0	3.0
JOT 240-12			12					
JOT 240-16			16					
JOT 240-20			20					
JOT 300-12	600Kcmil	300	12	51.0	88.0	38.0	27.6	3.7
JOT 300-16			16					
JOT 300-20			20					
JOT 400-16	800Kcmil	400	16	51.0	108.0	36.0	30.0	4.0
JOT 400-20			20					
JOT 500-16	1000Kcmil	500	16	61.0	124.0	47.0	36.0	4.5
JOT 500-20			20					

Non-Insulated Terminals TYPE-JOT(F)

- Material : Electrolytic Copper
- Surface : Tin plated
- With or Without Brazed Seam

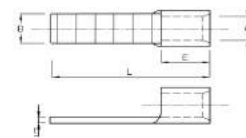


Part Number	Wire Range		Stud Size (mm)	B	L	E	d	t
	AWG	mm ²						
JOT 1.0-32	26~22	0.75, 1.0	3	5.9	14.5	5.5	1.7	0.65
JOT 1.5-32	20~16	1.5	3	5.9	14.0	4.5	2.0	
JOT 1.5-43			4	7.1	15.5			
JOT 2.5-32	16~14	2.5	3	6.0	15.3	5.0	2.5	0.65
JOT 2.5-43			4	7.1	15.5			
JOT 2.5-55			5	8.0	16.0			
JOT 4-44	14~12	4	4	8.0	18.0	7.0	3.0	0.75
JOT 4-55			5	9.0	18.0			
JOT 6-44	12~10	6	4	8.0	19.3		3.4	0.8
JOT 6-55			5	9.2	19.3			
JOT 10-6Y	8	10	6	11.5	25.0	8.5	4.7	0.9

*Crimping Tool : See Chart Page C2~C12 When ordering products with brazed seam 0.75mm²~6mm², add the postfix "B" to the part Number (ex JOT13Y → JOT13YB)

Non-Insulated Blade Terminals

- Material : Electrolytic Copper
- Surface : Tin plated
- With or Without Brazed seam

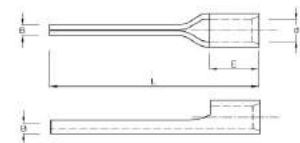


Part Number	Wire Range		Dimension (mm)				
	AWG	mm ²	B	L	E	d	t
JOBN 152	20~16	1.5	1.8	22.0	5.0	2.0	0.65
JOBN 153			2.3	15.0	5.0	2.0	
JOBN 154			2.3	23.5	5.0	2.0	
JOBN 155			2.3	20.5	5.0	2.0	
JOBN 252	16~14	2.5	1.8	22.0	5.0	2.4	0.65
JOBN 253			3.2	17.0	5.0	2.4	
JOBN 254			2.3	23.5	5.0	2.4	
JOBN 255			2.3	20.5	5.0	2.4	
JOBN 4	14~12	4	4.0	20.0	6.0	3.0	0.75
JOBN 4-2			2.8	16.5	6.0	3.0	
JOBN 4-3			3.0	20.5	6.0	3.0	
JOBN 6	12~10	6	5.0	21.4	7.0	3.6	0.8
JOBN 10	8	10	5.8	26.5	8.5	5.2	0.9
JOBN 16	6	16	7.3	32.5	12.5	6.0	1.1
JOBN 25	4	25	8.0	32.5	12.5	9.0	1.2
JOBN 35	2	35	8.0	34.5	14.5	10.0	1.4

*When ordering products with a brazed seam 1.5mm²~6mm², add the postfix "B" to the partnumber (ex JOBN152 → JOBN152B)

Non-Insulated Pin Terminals

- Material : Electrolytic Copper
- Surface : Tin plated
- With or Without Brazed seam



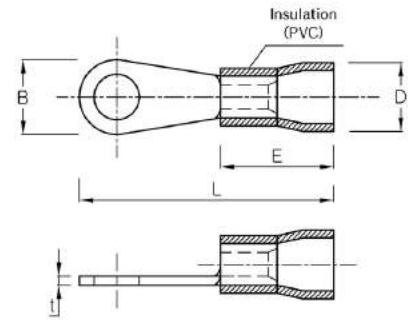
Part Number	Wire Range		Dimension (mm)			
	AWG	mm ²	B	L	E	d
JOPN 15	20~16	1.5	2.0	19.0	5.0	2.0
JOPN 251	16~14	2.5	1.8	17.0	5.0	2.8
JOPN 252			2.0	19.0	5.0	2.4
JOPN 253			2.0	22.0	5.0	
JOPN 4	14~12	4	2.2	20.0	6.0	3.0
JOPN 6	12~10	6	2.5	20.0	6.0	3.6

*When ordering products with a brazed seam 1.5mm²~6mm², add the postfix "B" to the partnumber (ex JOPN152 → JOPN152B)


Insulated Terminals

TYPE-PG(R)

- Material : Electrolytic Copper
- Surface : Tin plated
- With or Without Brazed Seam
- Insulation : PVC



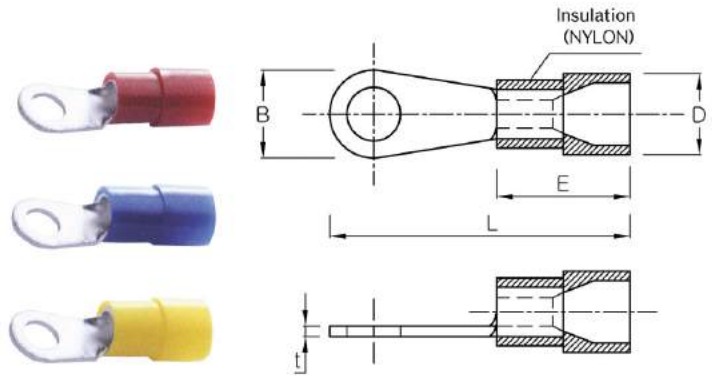
Part Number	Wire Range		Stud Size (mm)	Dimension (mm)					Color
	AWG	mm ²		B	L	E	D	t	
JOPT 1.5-33	20~16	1.5	3	5.4	16.3	10.0	5.9	0.65	RED *BLUE *YELLOW
JOPT 1.5-M3			3	6.8	19.0				
JOPT 1.5-4			4	6.1	18.8				
JOPT 1.5-M4			4	5.8	19.8				
JOPT 1.5-54			5	8.0	20.8				
JOPT 1.5-6			6	25.8					
JOPT 1.5-8			8	26.2					
JOPT 1.5-10			10	27.5					
JOPT 1.5-12			12	31.0					
JOPT 2.5-M3	16~14	2.5	3	6.0	21.0	10.0	6.3	0.65	BLUE *RED *YELLOW
JOPT 2.5-4			4	6.5	20.0				
JOPT 2.5-M4			4	6.0	21.0				
JOPT 2.5-54			5	8.0	20.9				
JOPT 2.5-6			6	9.4	22.5				
JOPT 2.5-8			8	11.5	26.6				
JOPT 2.5-10	10	14.0	27.5						
JOPT 2.5-12	12	17.0	30.8						
JOPT 4-M4	14~12	4	4	6.7	24.8	14.0	7.5	0.75	YELLOW *RED *BLUE
JOPT 4-54			5	8.3	24.5				
JOPT 4-6			6	11.4	30.0				
JOPT 4-8			8						
JOPT 4-10			10	14.0	31.5				
JOPT 4-12	12	16.0	32.2		0.8				
JOPT 6-M4	12~10	6	4	7.0	25.0	14.0	8.3	0.8	YELLOW *RED *BLUE
JOPT 6-54			5	9.0	26.0				
JOPT 6-6			6	12.4	30.0				
JOPT 6-8			8						
JOPT 6-10			10	14.0	31.0				
JOPT 6-12	12	16.0	32.5						
JOPT 10-4	8	10	4	9.0	32.5	16.0	11.0	1.0	RED
JOPT 10-54			5						
JOPT 10-6			6	11.8	32.1				
JOPT 10-8			8	15.0	37.5				
JOPT 10-10			10						
JOPT 10-12			12	20.0	43.5				
JOPT 10-16	16								
JOPT 16-5	6	16	5	12.0	40.0	21.0	12.9	1.2	BLUE
JOPT 16-6			6						
JOPT 16-8			8	16.0	41.0				
JOPT 16-10			10						
JOPT 16-12			12	22.0	51.0				
JOPT 16-16			16						

• When ordering products add postfix "Color & Insulation type" to the partnumber(ex JOPT 1.5-3 Yellow Straight) 

Insulated Terminals

TYPE-NT(R)

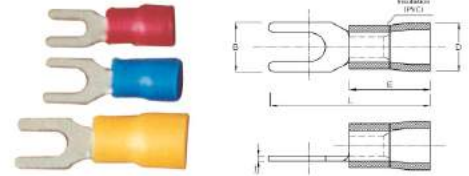
- Material : Electrolytic Copper
- Surface : Tin plated
- With or Without Brazed Seam
- Insulation : Nylon



Part Number	Wire Range		Stud Size (mm)	Dimension (mm)					Color
	AWG	mm ²		B	L	E	D	t	
JONT 1.5-33	20~16	1.5	3	5.4	16.3	11.0	6.1	0.65	RED *BLUE *YELLOW
JONT 1.5-M3			3	6.8	19.0				
JONT 1.5-4			4	6.1	18.8				
JONT 1.5-M4			4	5.8	19.8				
JONT 1.5-54			5	8.0	20.8				
JONT 1.5-6			6	10.4	25.8				
JONT 1.5-8			8	26.2					
JONT 1.5-10			10	14.0	27.5				
JONT 1.5-12			12	17.0	31.0				
JONT 2.5-M3			16~14	2.5	3				
JONT 2.5-4	4	6.5			20.0				
JONT 2.5-M4	4	6.0			21.0				
JONT 2.5-54	5	8.0			20.9				
JONT 2.5-6	6	9.4			22.5				
JONT 2.5-8	8	11.5			26.6				
JONT 2.5-10	10	14.0			27.5				
JONT 2.5-12	12	17.0			30.8				
JONT 4-M4	14~12	4	4	6.7	24.8	14.5	7.8	0.75	YELLOW *RED *BLUE
JONT 4-54			5	8.3	24.5				
JONT 4-6			6	11.4	30.0				
JONT 4-8			8						
JONT 4-10			10	14.0	31.5				
JONT 4-12			12	16.0	32.2				
JONT 6-M4	12~10	6	4	7.0	25.0	14.5	8.3	0.8	YELLOW *RED *BLUE
JONT 6-54			5	9.0	26.0				
JONT 6-6			6	12.4	30.0				
JONT 6-8			8						
JONT 6-10			10	14.0	31.0				
JONT 6-12			12	16.0	32.5				
JONT 10-4	8	10	4	9.0	32.5	17.0	10.8	1.0	RED
JONT 10-5			5	11.8	32.1				
JONT 10-6			6						
JONT 10-8			8	15.0	37.5				
JONT 10-10			10	20.0	43.5				
JONT 10-12			12						
JONT 10-16			16						
JONT 16-5	6	16	5	12.0	40.0	22.0	12.9	1.2	BLUE
JONT 16-6			6						
JONT 16-8			8	16.0	41.0				
JONT 16-10			10	22.0	51.0				
JONT 16-12			12						
JONT 16-16			16						

Insulated Terminals TYPE-PG(F)

- Material : Electrolytic Copper
- Surface : Tin plated
- With or Without Brazed Seam
- Insulation : PVC



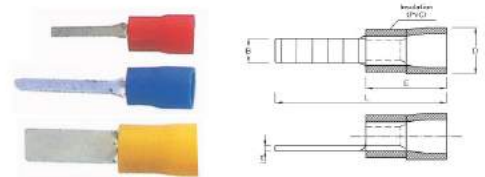
Part Number	Wire Range		Stud Size (mm)	Dimension (mm)					Color
	AWG	mm ²		B	L	E	D	t	
JOPT 1.5-32	20~16	1.5	3	5.9	19.0	10.0	5.9	0.65	RED *BLUE,*YELLOW
JOPT 1.5-43			4	7.1	20.0				
JOPT 2.5-32	16~14	2.5	3	6.0	20.0	10.0	6.3	0.65	BLUE *RED,*YELLOW
JOPT 2.5-43			4	7.1					
JOPT 2.5-55			5	8.0					
JOPT 4-44	14~12	4	4	8.0	25.0	14.0	7.5	0.75	YELLOW *RED,*BLUE
JOPT 4-55			5	9.0	25.0				
JOPT 6-44	12~10	6	4	8.4	26.5	14.0	8.3	0.8	YELLOW *RED,*BLUE
JOPT 6-55			5	9.2	26.5				
JOPT 10-6Y	8	10	6	11.5	33.5	17.0	10.5	1.0	RED

*When ordering products with brazed seam 1.5mm²~6mm², add the postfix "B" to the part Number (ex JOPT153Y → JOPT153YB)

*When ordering products add postfix "Color & Insulation type" to the partnumber(ex JOPT 1.5-3 Blue Straight)

Insulated Terminals TYPE-PG(B)

- Material : Electrolytic Copper
- Surface : Tin plated
- Insulation : PVC
- With or without brazed seam



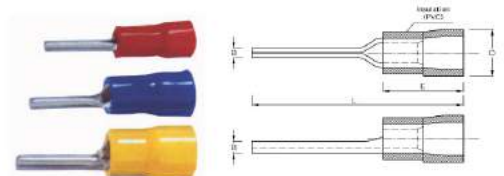
Part Number	Wire Range		Dimension (mm)					Color
	AWG	mm ²	B	L	E	D	t	
JOBP 152	20~16	1.5	1.8	27.0	10.0	5.9	0.65	RED *BLUE, *YELLOW
JOBP 153			2.3	20.0				
JOBP 154			2.3	28.5				
JOBP 155			2.3	25.5				
JOBP 252	16~14	2.5	1.8	27.0	10.0	6.3	0.7	BLUE *RED, *YELLOW
JOBP 253			3.2	22.0				
JOBP 254			2.3	28.5				
JOBP 255			2.3	25.5				
JOBP 4	14~12	4	4.0	28.0	14.0	7.5	0.8	YELLOW *RED,*BLUE
JOBP 4-2			2.8	24.5				
JOBP 4-3			3.0	28.5				
JOBP 6	12~10	6	5.0	28.4	14.0	8.3	0.8	YELLOW *RED *BLUE *GREEN

*When ordering products with brazed seam 1.5mm²~6mm², add the postfix "B" to the part Number (ex JOBP152 → JOBP152B)

*When ordering products add postfix "Color & Insulation type" to the partnumber(ex JOPT 1.5-3 Blue Straight)

Insulated Terminals TYPE-PG(P)

- Material : Electrolytic Copper
- Surface : Tin plated
- Insulation : PVC
- With or without brazed seam



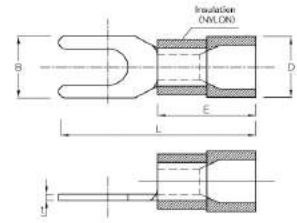
Part Number	Wire Range		Dimension (mm)				Color
	AWG	mm ²	B	L	E	D	
JOPP 15	20~16	1.5	2.0	24.0	10.0	5.9	RED *BLUE, *YELLOW
JOPP 251	16~14	2.5	1.8	22.0	10.0	6.3	BLUE *RED, *YELLOW
JOPP 252			2.0	24.0			
JOPP 253			2.0	27.0			
JOPP 4	14~12	4	2.2	28.0	14.0	7.5	YELLOW *RED, *BLUE
JOPP 6	12~10	6	2.5	28.0	14.0	8.3	YELLOW *RED, *BLUE

*When ordering products with brazed seam 1.5mm²~6mm², add the postfix "B" to the part Number (ex JOPP15 → JOPP15B)

*When ordering products add postfix "Color & Insulation type" to the partnumber

Insulated Terminals TYPE-NT(F)

- Material : Electrolytic Copper
- Surface : Tin plated
- With or Without Brazed Seam
- Insulation : Nylon

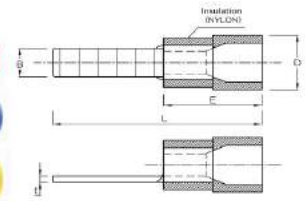


Part Number	Wire Range		Stud Size (mm)	Dimension (mm)					Color
	AWG	mm ²		B	L	E	D	t	
JONT 1.5-32	20~16	1.5	3	5.9	19.0	11.0	6.1	0.65	RED *BLUE, *YELLOW
JONT 1.5-43			4	7.1	20.0				
JONT 2.5-32	16~14	2.5	3	6.0	20.0	11.0	6.3	0.65	BLUE *RED, *YELLOW
JONT 2.5-43			4	7.1					
JONT 2.5-55			5	8.0					
JONT 4-44	14~12	4	4	8.0	25.0	14.5	7.8	0.75	YELLOW *RED, *BLUE
JONT 4-55			5	9.0	25.0				
JONT 6-44	12~10	6	4	8.4	26.5	14.5	8.3	0.8	YELLOW *RED, *BLUE
JONT 6-55			5	9.2	26.5				
JONT 10-6Y	8	10	6	11.5	33.5	17.0	10.8	1.0	RED

*When ordering products with brazed seam 1.5mm²~6mm², add the postfix "B" to the part Number (ex JOPT153Y → JOPT153YB)

Insulated Terminals TYPE-NT(B)

- Material : Electrolytic Copper
- Surface : Tin plated
- Insulation : Nylon
- With or without brazed seam

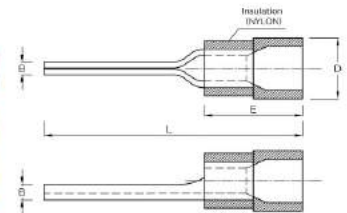


Part Number	Wire Range		Dimension (mm)					Color
	AWG	mm ²	B	L	E	D	t	
JONB 152	20~16	1.5	1.8	28.0	11.0	6.1	0.65	RED *BLUE, *YELLOW
JONB 153			2.3	21.0				
JONB 154			2.3	29.5				
JONB 155			2.3	26.5				
JONB 252	16~14	2.5	1.8	28.0	11.0	6.3	0.7	BLUE *RED, *YELLOW
JONB 253			3.2	23.0				
JONB 254			2.3	29.5				
JONB 255			2.3	26.5				
JONB 4	14~12	4	4.0	28.5	14.5	7.8	0.8	YELLOW *RED, *BLUE
JONB 4-2			2.8	25.0				
JONB 4-3			3.0	29.0				
JONB 6	12~10	6	5.0	28.9	14.5	8.3	0.8	YELLOW *RED *BLUE *GREEN

*When ordering products with brazed seam 1.5mm²~6mm², add the postfix "B" to the part Number (ex JONB152 → JONB152B)

Insulated Terminals TYPE-NT(P)

- Material : Electrolytic Copper
- Surface : Tin plated
- Insulation : Nylon
- With or without brazed seam

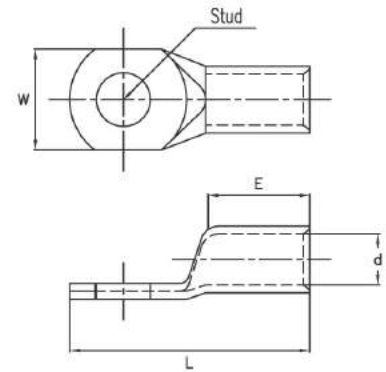


Part Number	Wire Range		Dimension (mm)				Color
	AWG	mm ²	B	L	E	D	
JONP 15	20~16	1.5	1.8	25.0	11.0	6.1	RED *BLUE, *YELLOW
JONP 251	16~14	2.5	1.8	23.0	11.0	6.3	BLUE *RED, *YELLOW
JONP 252			2.0	25.0			
JONP 253			2.0	28.0			
JONP 4	14~12	4	2.2	28.5	14.5	7.8	YELLOW *RED, *BLUE
JONP 6	12~10	6	2.5	28.5		8.3	YELLOW *RED, *BLUE

*When ordering products with brazed seam 1.5mm²~6mm², add the postfix "B" to the part Number (ex JONP15 → JONP15B)

Tubular Cable Lugs, One Hole, Round Compressed TYPE-CE

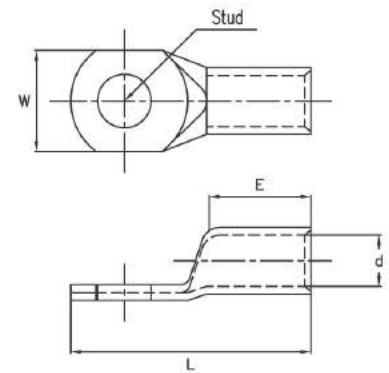
- Material : Electrolytic Copper (TPC)
- Surface : Tin Plated
- Without Inspection Hole
- To IEC 60228 Class 2



Part Number	Wire Range		Stud Size	Dimension (mm)				Q' ty/ bag	
	AWG	mm ²		W	E	L	d		
JOCE 1.5-3	20~16	1.5	M3	6.5	6.0	16	1.8	1,000	
JOCE 1.5-4			M4			17			
JOCE 2.5-3	16~14	2.5	M3	7.5	6.0	17	2.3	1,000	
JOCE 2.5-4			M4			18			
JOCE 4-4	14~12	4	M4	8.5	7.0	21	3.0	1,000	
JOCE 4-5			M5			22			
JOCE 6-4	12~10	6	M4	9.2	7.0	22	4.0	1,000	
JOCE 6-5			M5						
JOCE 10-5	8	10	M5	11.3	11	29	4.7	500	
JOCE 10-6			M6						
JOCE 16-5	6	16	M5	11	10	29	5.4	300	
JOCE 16-6			M6						
JOCE 16-8			M8			14			33
JOCE 25-6	4	25	M6	13	11	32	6.7	300	
JOCE 25-8			M8						
JOCE 35-6	2	35	M6	16	12	37	8.1	200	
JOCE 35-8			M8						
JOCE 35-10			M10			17			42
JOCE 50-6	1	50	M6	18	17	44	9.5	200	
JOCE 50-8			M8						
JOCE 50-10			M10						49
JOCE 50-12			M12			20			53
JOCE 70-6	2/0	70	M6	20	21	53	11.3	100	
JOCE 70-8			M8						
JOCE 70-10			M10						
JOCE 70-12			M12						56

Tubular Cable Lugs, One Hole, Round Compressed TYPE-CE

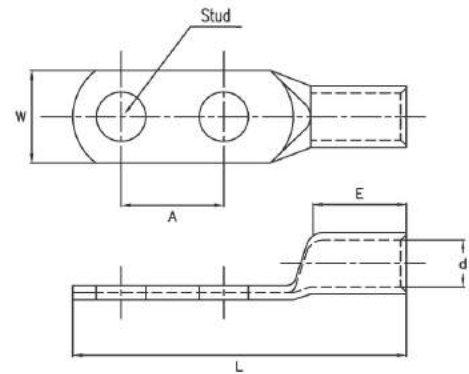
- Material : Electrolytic Copper (TPC)
- Surface : Tin Plated
- Without Inspection Hole
- To IEC 60228 Class 2



Part Number	Wire Range		Stud Size	Dimension (mm)				Q'ty/ bag
	AWG	mm ²		W	E	L	d	
JOCE 95-6	3/0	95	M6	25	21	57	13.5	50
JOCE 95-8			M8					
JOCE 95-10			M10					
JOCE 95-12			M12					
JOCE 95-16			M16					
JOCE 120-8	250Kcmil	120	M8	28	24	64	15.2	50
JOCE 120-10			M10					
JOCE 120-12			M12					
JOCE 120-16			M16					
JOCE 150-10	300Kcmil	150	M10	32	31	76	17	30
JOCE 150-12			M12					
JOCE 150-16			M16					
JOCE 150-20			M20					
JOCE 185-12	350Kcmil	185	M12	35	34	80	19	30
JOCE 185-16			M16					
JOCE 185-20			M20					
JOCE 240-12	500Kcmil	240	M12	40	36	93	22	25
JOCE 240-16			M16					
JOCE 240-20			M20					
JOCE 300-12	600Kcmil	300	M12	44	43	99	24	20
JOCE 300-16			M16					
JOCE 300-20			M20					
JOCE 400-12	750Kcmil	400	M12	48	46	114	26	10
JOCE 400-16			M16					
JOCE 400-20			M20					
JOCE 400-24			M24					
JOCE 500-12	1000Kcmil	500	M12	57	52	135	31	10
JOCE 500-16			M16					
JOCE 500-20			M20					
JOCE 500-24			M24					
JOCE 630-12	1250Kcmil	630	M12	64	61	150	34	5
JOCE 630-16			M16					
JOCE 630-20			M20					
JOCE 630-24			M24					
JOCE 800-12	1500Kcmil	800	M12	72	78	185	39	5
JOCE 800-16			M16					
JOCE 800-20			M20					
JOCE 800-24			M24					
JOCE 1000-16	2000Kcmil	1000	M16	80	78	185	43	5
JOCE 1000-20			M20					
JOCE 1000-24			M24					

Tubular Cable Lugs, One Hole, Round Compressed TYPE-CE

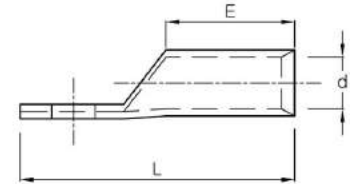
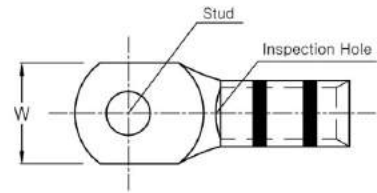
- Material : Electrolytic Copper (TPC)
- Surface : Tin Plated
- Without Inspection Hole
- To IEC 60228 Class 2



Part Number	Wire Range		Stud Size	Dimension (mm)					Q'ty/ bag
	AWG	mm ²		W	A	d	E	L	
JOCE 6-2	12~10	6	M5	9	22	4.0	12	53.5	1000
JOCE 10-2	8	10	M6	10	22	4.5	13	58.5	500
JOCE 16-2	6	16	M6	12	22	5.4	20	67.5	300
JOCE 25-2	4	25	M8	14	22	6.7	20	71.5	200
JOCE 35-2	2	35	M8	16	22	8.1	23	75.5	100
JOCE 50-2	1	50	M10	18	22	9.5	27	85.5	100
JOCE 70-2	2/0	70	M12	22	45	11.3	28	115	50
JOCE 95-2	3/0	95	M12	25	45	13.5	35	125	50
JOCE 120-2	250Kcmil	120	M12	28	45	15.2	40	130	50
JOCE 150-2	300Kcmil	150	M12	31	45	17	43	134	30
JOCE 185-2	350Kcmil	185	M12	34	45	19	45	141	25
JOCE 240-2	500Kcmil	240	M12	40	45	22	53	147	15
JOCE 300-2	600Kcmil	300	M12	45	45	24	63	162	10
JOCE 400-2	750Kcmil	400	M14	48	45	26	66	176	8
JOCE 500-2	1000Kcmil	500	M14	57	45	31	67	188	8
JOCE 630-2	1250Kcmil	630	M16	64	45	34	70	211	5
JOCE 800-2	1500Kcmil	800	M16	72	45	39	100	232	5
JOCE 1000-2	2000Kcmil	1000	M16	80	45	43	102	235	5

Tubular Cable Lugs, One Hole, Round Compressed TYPE-CP

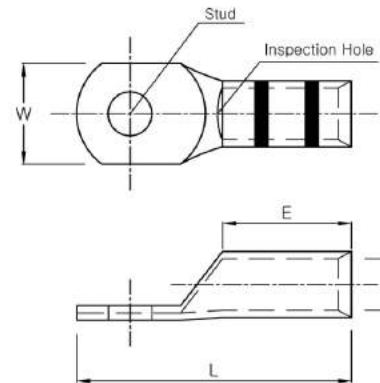
- Material : Electrolytic Copper (TPC)
- Surface : Tin Plated
- With Inspection Hole to visually assure full Conductor insertion.
- Color Coded to Show Proper Die Number and Color 10mm²~70mm²
- To IEC 60228 Class 2
- UL Listed 486A-486B up to 35KV



Part Number	Wire Range		Stud Size	Dimension (mm)				Code Cable Die Color & No.	Q' ty/ bag		
	AWG	mm ²		W	E	L	d				
JOCP 1.5-3	20~16	1.5	M3	6.5	8	16	1.8	Red 21	1,000		
JOCP 1.5-4			M4			17					
JOCP 2.5-3	16~14	2.5	M3	7.5	8.5	17	2.3	Blue 24	1,000		
JOCP 2.5-4			M4			18					
JOCP 4-4	14~12	4	M4	8.5	9.5	21	3.0	Brown 20	1,000		
JOCP 4-5			M5	8.5		22					
JOCP 6-4	12~10	6	M4	9.5	9.5	22	4.0	Yellow 62	1,000		
JOCP 6-5			M5			10				23	
JOCP 6-6			M6								
JOCP 10-5	8	10	M5	11.5	13	29	4.7	Red 21	500		
JOCP 10-6			M6								
JOCP 16-5	6	16	M5	12	13	29	5.4	Blue 24	300		
JOCP 16-6			M6							14	33
JOCP 16-8			M8								
JOCP 25-6	4	25	M6	13	13	32	6.7	Gray 29	300		
JOCP 25-8			M8								
JOCP 35-6	2	35	M6	16	16.5	37	8.1	Brown 33	200		
JOCP 35-8			M8			17				42	
JOCP 35-10			M10								
JOCP 50-6	1	50	M6	18	23	44	9.5	Green 37	200		
JOCP 50-8			M8			49				53	
JOCP 50-10			M10								
JOCP 50-12			M12			20					
JOCP 70-6	2/0	70	M6	21	26	53	11.3	Black 45	100		
JOCP 70-8			M8								
JOCP 70-10			M10								
JOCP 70-12			M12							57	

Tubular Cable Lugs, One Hole, Round Compressed TYPE-CP

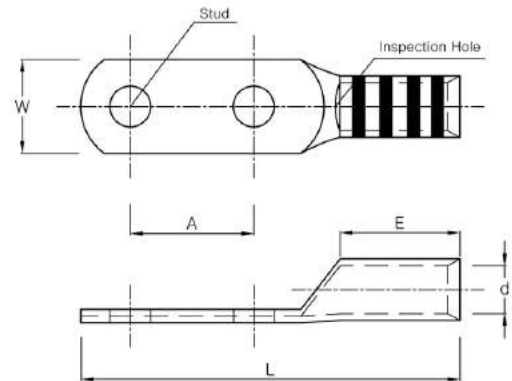
- Material : Electrolytic Copper (TPC)
- Surface : Tin Plated
- With Inspection Hole to visually assure full Conductor insertion.
- Color Coded to Show Proper Die Number and Color 95mm²~1000mm²
- To IEC 60228 Class 2
- UL Listed 486A-486B up to 35KV



Part Number	Wire Range		Stud Size	Dimension (mm)				Code Cable Die Color & No.	Q' ty/ bag
	AWG	mm ²		W	E	L	d		
JOCP 95-6	3/0	95	M6	25	27	58	13.5	Orange 50	50
JOCP 95-8			M8			61			
JOCP 95-10			M10			67			
JOCP 95-12			M12						
JOCP 95-16			M16			28			
JOCP 120-8	250Kcmil	120	M8	28	28	63	15.2	Purple 54	50
JOCP 120-10			M10			70			
JOCP 120-12			M12						
JOCP 120-16			M16						
JOCP 150-10	300Kcmil	150	M10	30	37	76	17	Yellow 62	30
JOCP 150-12			M12			83			
JOCP 150-16			M16						
JOCP 150-20			M20						
JOCP 185-12	350Kcmil	185	M12	35	39	80	19	Red 71	30
JOCP 185-16			M16			87			
JOCP 185-20			M20						
JOCP 240-12	500Kcmil	240	M12	40	45	93	22	Brown 87	25
JOCP 240-16			M16						
JOCP 240-20			M20						
JOCP 300-12	600Kcmil	300	M12	45	50	100	24	Green 94	20
JOCP 300-16			M16						
JOCP 300-20			M20						
JOCP 400-12	750Kcmil	400	M12	49	53	114	26	Black 106	10
JOCP 400-16			M16						
JOCP 400-20			M20						
JOCP 400-24			M24						
JOCP 500-12	1000Kcmil	500	M12	57	60	136	31	White 125	10
JOCP 500-16			M16						
JOCP 500-20			M20						
JOCP 500-24			M24						
JOCP 630-12	1250Kcmil	630	M12	64	68	150	34	Pink 142	5
JOCP 630-16			M16						
JOCP 630-20			M20						
JOCP 630-24			M24						
JOCP 800-12	1500Kcmil	800	M12	72	84	185	39	Orange 150	5
JOCP 800-16			M16						
JOCP 800-20			M20						
JOCP 800-24			M24						
JOCP 1000-16	2000Kcmil	1000	M16	80	84	185	43	Green 194	5
JOCP 1000-20			M20						
JOCP 1000-24			M24						

Tubular Cable Lugs, One Hole, Round Compressed TYPE-CP

- Material : Electrolytic Copper (TPC)
- Surface : Tin Plated
- With Inspection Hole
- Color Coded to Show Proper Die Number and Color 6mm²~1000mm²
- To IEC 60228 Class 2
- UL Listed 486A-486B up to 35KV

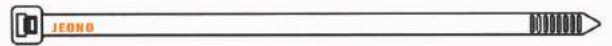


Part Number	Wire Range		Stud Size	Dimension (mm)					Code Cable Die Color & No.	Q'ty / bag
	AWG	mm ²		W	A	d	E	L		
JOCP 6-2	12~10	6	M5	9	22	4.0	14	53.5	Brown20	1000
JOCP 10-2	8	10	M6	10	22	4.5	16	58.5	Red21	500
JOCP 16-2	6	16	M6	12	22	5.4	23	67.5	Blue24	300
JOCP 25-2	4	25	M8	14	22	6.7	23	71.5	Gray29	200
JOCP 35-2	2	35	M8	16	22	8.1	26	75.5	Brown33	100
JOCP 50-2	1	50	M10	19	22	9.5	31	85.5	Green37	100
JOCP 70-2	2/0	70	M12	22	45	11.3	32	115	Black45	50
JOCP 95-2	3/0	95	M12	25	45	13.5	38	125	Orange50	50
JOCP 120-2	250Kcmil	120	M12	28	45	15.2	41	130	Purple54	50
JOCP 150-2	300Kcmil	150	M12	32	45	17	45	135	Yellow62	30
JOCP 185-2	350Kcmil	185	M12	35	45	19	48	142	Red71	25
JOCP 240-2	500Kcmil	240	M12	41	45	22	56	148	Brown87	15
JOCP 300-2	600Kcmil	300	M12	45	45	24	65	162	Green94	10
JOCP 400-2	750Kcmil	400	M14	49	45	26	68	178	Black106	8
JOCP 500-2	1000Kcmil	500	M14	57	45	31	72	188	White125	8
JOCP 630-2	1250Kcmil	630	M16	64	45	34	81	212	Pink142	5
JOCP 800-2	1600Kcmil	800	M16	72	45	39	100	232	Orange150	5
JOCP 1000-2	2000Kcmil	1000	M16	80	45	43	102	235	Green194	5

Cable Ties - NYLON 6.6

TYPE-J

- Flammability : UL 94V-2
- Halogen free - Natural Color Only
- Operating temperature : 85°C
- Color : Natural or All Colors
- For indoor use



Part Number	Length (mm)	Width (mm)	Thickness (mm)	Max. Bundle Dia. (mm)	Min. Loop Tensile Strength		Installation Tool No	Package Qty.
					Lbs	Kg		

• Subminiature-Series 2.5

J-100	103	2.5	0.9	22	18	8.1	JOT-702 JOT-328	1000
J-162	162		1.0	40				
J-202	200		1.0	51				

• Intermediate-Series 3.6

J-140	148	3.6	1.1	35	40	18.1	JOT-702 JOT-328	1000
J-203	200		1.3	51				
J-303	300		1.3	77				
J-372	368		1.3	102				

• Standard-Series 4.8

J-200	201	4.8	1.3	48	50	22.6	JOT-702 JOT-328	1000
J-250	252		1.3	64				500
J-300	300		1.4	76				
J-373	368		1.5	102				

• Light Heavy-Series 6.0

J-270	270	6.0	1.4	73	100	45.3	JOT-519, JOT-600L JOT-GS4EH	500
-------	-----	-----	-----	----	-----	------	--------------------------------	-----

• Duty Heavy-Series 7.6

J-307	300	7.6	1.6	76	120	54.4	JOT-519 JOT-600L JOT-GS4EH	300
J-370	370		1.6	102				

• Heavy-Series 9.0

J-450	450	9.0	1.9	127	175	79.3	JOT-519 JOT-600L JOT-GS4EH	100
J-530	530			152				
J-780	762			229				
J-1000	940			305				

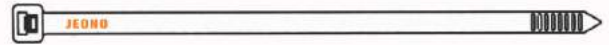
• Extra Heavy-Series 12.7

J-300EH	300	12.7	2.1	70	250	113	JOT-600L JOT-GS4EH	100
J-400EH	400			102				
J-540EH	540			150				

Cable Ties - NYLON 6.6

TYPE-JV

- Flammability : UL 94V-0
- Halogen free
- Operating temperature : 85°C
- Color : Natural only
- For indoor use



Part Number	Length (mm)	Width (mm)	Thickness (mm)	Max. Bundle Dia. (mm)	Min. Loop Tensile Strength		Installation Tool No	Package Qty.
					Lbs	Kg		

• Subminiature-Series 2.5

JV-100	103	2.5	0.9	22	18	8.1	JOT-702 JOT-328	1000
JV-162	162		1.0	40				
JV-202	200		1.0	51				

• Intermediate-Series 3.6

JV-140	148	3.6	1.1	35	40	18.1	JOT-702 JOT-328	1000
JV-203	200		1.3	51				
JV-303	300		1.3	77				
JV-372	368		1.3	102				

• Standard-Series 4.8

JV-200	201	4.8	1.3	48	50	22.6	JOT-702 JOT-328	1000
JV-250	249		1.3	64				500
JV-300	300		1.4	76				
JV-373	368		1.5	102				

• Light Heavy-Series 6.0

JV-270	270	6.0	1.4	73	100	45.3	JOT-519, JOT-600L JOT-GS4EH	500
--------	-----	-----	-----	----	-----	------	--------------------------------	-----

• Duty Heavy-Series 7.6

JV-307	300	7.6	1.6	76	120	54.4	JOT-519 JOT-600L JOT-GS4EH	300
JV-370	370		1.6	102				

• Heavy-Series 9.0

JV-450	450	9.0	1.9	127	175	79.3	JOT-519 JOT-600L JOT-GS4EH	100
JV-530	530			152				
JV-780	762			229				
JV-1000	940			305				

• Extra Heavy-Series 12.7

JV-300EH	300	12.7	2.1	70	250	113	JOT-600L JOT-GS4EH	100
JV-400EH	400			102				
JV-540EH	540			150				

Cable Ties - Weather Resistant NYLON 6.6 TYPE-JW

- Flammability : UL 94V-2
- Color : UV Black
- Operating temperature : 85°C
- Greater resistance to damage caused by ultraviolet light
- indoor or outdoor use



Part Number	Length (mm)	Width (mm)	Thickness (mm)	Max. Bundle Dia. (mm)	Min. Loop Tensile Strength		Installation Tool No	Package Qty.
					Lbs	Kg		

• Subminiature-Series 2.5

JW-100	103	2.5	0.9	22	18	8.1	JOT-702 JOT-328	1000
JW-162	162		1.0	40				
JW-202	200		1.0	51				

• Intermediate-Series 3.6

JW-140	148	3.6	1.1	35	40	18.1	JOT-702 JOT-328	1000
JW-203	200		1.3	51				
JW-303	300		1.3	77				
JW-372	368		1.3	102				

• Standard-Series 4.8

JW-200	201	4.8	1.3	48	50	22.6	JOT-702 JOT-328	1000
JW-250	252		1.3	64				500
JW-300	300		1.4	76				
JW-373	368		1.4	102				

• Light Heavy-Series 6.0

JW-270	270	6.0	1.4	73	100	45.3	JOT-519, JOT-600L JOT-GS4EH	500
--------	-----	-----	-----	----	-----	------	--------------------------------	-----

• Duty Heavy-Series 7.6

JW-307	300	7.6	1.6	76	120	54.4	JOT-519 JOT-600L JOT-GS4EH	300
JW-370	370		1.6	102				

• Heavy-Series 9.0

JW-450	450	9.0	1.9	127	175	79.3	JOT-519 JOT-600L JOT-GS4EH	100
JW-530	530			152				
JW-780	762			229				
JW-1000	940			305				

• Extra Heavy-Series 12.7

J-300EH	300	12.7	2.1	70	250	113	JOT-600L JOT-GS4EH	100
J-400EH	400			102				
J-540EH	540			150				

사업자등록증

(법인사업자)

등록번호 : 140-81-43117

법인명(단체명) : (주) 금창

대표자 : 이응석

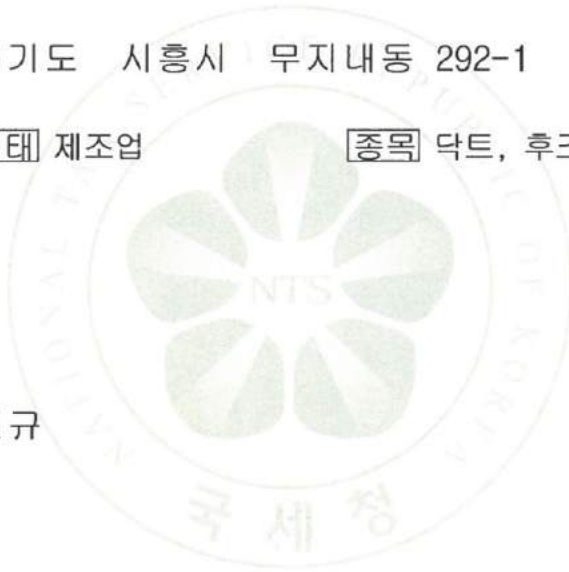
개업년월일 : 2010년 03월 26일 법인등록번호 : 135511-0210620

사업장소재지 : 경기도 시흥시 무지내동 292-1

본점소재지 : 경기도 시흥시 무지내동 292-1

사업의종류 : 업태 제조업 종목 닥트, 후크

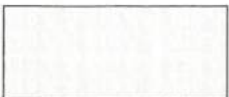
교부사유 : 신규



사업자단위과세 적용사업자 여부: 여() 부()

2010년 04월 05일

시흥세무서장



NTS 국세청



특허증

CERTIFICATE OF PATENT



특허

Patent Number

제 10-1528338 호

출원번호

Application Number

제 10-2013-0055169 호

출원일

Filing Date

2013년 05월 15일

등록일

Registration Date

2015년 06월 05일

발명의 명칭 Title of the Invention

케이블 덕트용 고정구

특허권자 Patentee

(주)금창(135511-0*****)

경기 시흥시 금오로169번길 17, (무지내동)

발명자 Inventor

이응석(571012-1*****)

경기도 부천시 소사구 안곡로 148-15

위의 발명은 「특허법」에 따라 특허등록원부에 등록되었음을 증명합니다.

This is to certify that, in accordance with the Patent Act, a patent for the invention has been registered at the Korean Intellectual Property Office.

2015년 06월 05일



특허청장

COMMISSIONER,

KOREAN INTELLECTUAL PROPERTY OFFICE

최 동 규

디자인등록증

CERTIFICATE OF DESIGN REGISTRATION



등록

Registration Number

제 30-0794195 호

출원번호

Application Number

제 30-2014-0050874 호

출원일

Filing Date

2014년 10월 23일

등록일

Registration Date

2015년 04월 22일

등록의 구분

Type of Registration

심사등록
(EXAMINED REGISTRATION)

물품류 Class

제13류

디자인의 대상이 되는 물품 Product

배선용 보호덕트

디자인권자 Owner

(주)금창(135511-0*****)

경기 시흥시 금오로169번길 17, (무지내동)

창작자 Creator

이응석(571012-1*****)

경기도 부천시 소사구 안곡로 148-15 (괴안동)

위의 디자인은 「디자인보호법」에 따라 디자인등록원부에 등록되었음을 증명합니다.

This is to certify that, in accordance with the Design Protection Act, a design has been registered at the Korean Intellectual Property Office.

2015년 04월 22일



특허청장

COMMISSIONER,

KOREAN INTELLECTUAL PROPERTY OFFICE



관련디자인등록증

CERTIFICATE OF RELATED DESIGN REGISTRATION



등록

Registration Number

제 30-0800624 호

출원번호

Application Number

제 30-2014-0053065 호

출원일

Filing Date

2014년 11월 05일

등록일

Registration Date

2015년 06월 05일

등록의 구분

Type of Registration

심사 등록

(EXAMINED REGISTRATION)

기본 디자인

Principal Design

등록 제 30-0794195 호

Registration Number

물품류 Class

제13류

디자인의 대상이 되는 물품 Product

배선용 보호덕트

디자인권자 Owner

(주)금창(135511-0***)**

경기 시흥시 금오로169번길 17, (무지내동)

창작자 Creator

이용석(571012-1***)**

경기도 부천시 소사구 안곡로 148-15 (괴안동)

위의 디자인은 「디자인보호법」에 따라 디자인등록원부에 등록되었음을 증명합니다.

This is to certify that, in accordance with the Design Protection Act, a design has been registered at the Korean Intellectual Property Office.

2015년 06월 05일



특허청장

COMMISSIONER,

KOREAN INTELLECTUAL PROPERTY OFFICE

최 동 규



(주) 금 창 KUMCHANG CO., LTD.

Head Office & Factory

17 Geumo-ro 169 Beon-gil, Siheung-si,
Gyeonggi-do, Korea

TEL : 82-31-315-5830~1

FAX : 82-31-315-5832

E-mail : kumchang0807@naver.com

Seoul Office

#Na-1104, Central Distribution Center,
Gyeongin-ro 53-gil, Guro-gu, Seoul, Korea

TEL : 82-2-2689-8567~8

FAX : 82-2-2689-8569

E-mail : leecs0517@naver.com

Web-Site : <http://www.kumchangduct.com>